



TRAILER PRODUCTS

USA PRODUCT CATALOGUE

ACKNOWLEDGEMENTS

Copyright

© Copyright 2020 The Meher Group. All rights reserved.
USA. October 2020.

No part of this document may be reproduced, transferred or sold without the written permission of The Meher Group.

Acknowledgements

The time and effort contributed by The Meher Group staff for this catalogue is appreciated, in particular, we acknowledge the contribution of the team at Meher.

Disclaimer

Every care has been taken by The Meher Group in the compilation of the data contained herein and in verification of its accuracy when published. However, the content of this catalogue is subject to change without notice due to factors outside the control of The Meher Group and this catalogue should, therefore, be used as a guide only.

Procedures and methods described in this catalogue are provided as examples only. If you have any doubt, please contact our technical advisor or a professional.

User Manuals

It is strongly advised to thoroughly read and understand the user manual for each product to ensure safe and correct use. These user manuals can be found on our website www.themehergroup.com/us/usermanuals.

Warranties

For general warranty information, refer to our website www.themehergroup.com/us/warranty. Warranties can be customised based on trailer manufacturers requirements. This will be discussed further by your personal account manager.

Trailer Jacks and Stands	4
Couplings and Coupling Accessories	5
Brakes – Hub Drums and Backing Plates	6
Brakes – Rotors and Callipers	7
Idler Hubs	8
Hydraulic Accessories	9
Custom Axle Kit	10
Spring and Torsion Axles	11
Springs	12
Torsion Arms	14
Fenders	15
Boat Roller and Accessories	16
Winches	17
Manufacturing Abilities	18
Trail Safe	19

TRAILER JACKS AND STANDS

Trailer Jacks*



TRAILER JACK

Current capacities: 500lbs to 5,000lbs
Base sizes: 6-inch to 8-inch single or dual
Wind: Side and top
Brackets: Customized, weld-on, bolt-on

A-FRAME JACK

Current capacities: 500lbs to 5,000lbs
Base sizes: Customized
Foot: Customized

Trailer Stands and Drop Jacks*



TRAILER JACK STAND

Current capacities: 500lbs to 8,000lbs
Pipes: Square or round

DROP JACK

Wind: Side and top
Brackets: Customized, weld-on, bolt-on



*** CUSTOM DESIGN:** Meher can now manufacture any product or component to customer specifications. If you have a unique size, please contact us and we will make for you.

COUPLINGS AND COUPLING ACCESSORIES

Couplings*



A-FRAME COUPLER

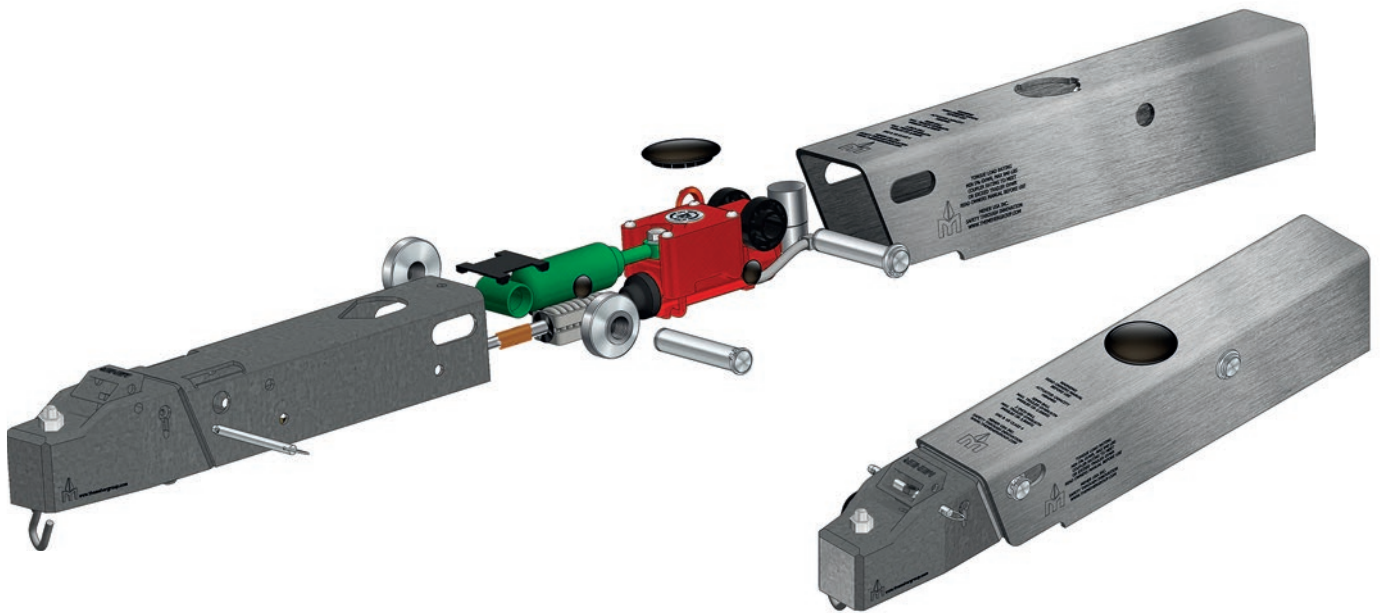
Ball size: 2-inch to 2⁵/₁₆-inch
Capacities: 5,000lbs to 15,000lbs
A-frame angle: Customized



TONGUE COUPLER

Ball size: 1⁷/₈-inch to 2⁵/₁₆-inch
Ball sizes: 2-inch to 3-inch
Capacities: 3,500lbs to 10,000lbs

Hydraulic Actuator*



Ball size: 2-inch to 2⁵/₁₆-inch ball
Capacities: 7,500lbs to 20,000lbs

Brakes: Drum and disc
Mounting: Customized, in-line, bolt-over



*** CUSTOM DESIGN:** Meher can now manufacture any product or component to customer specifications. If you have a unique size, please contact us and we will make for you.

BRAKES – HUB DRUMS AND BACKING PLATES

Hub Drums*



HUB DRUMS

Diameter: 10-inch to 12-inch
Capacities: 3,500lbs to 8,000lbs

Brakes: Electric and hydraulic
Studs: 5 to 8

Hydraulic Backing Plate*



Diameter: 10-inch to 12-inch

Capacities: 3,500lbs to 5,200lbs

Trailers: Utility and Marine

Electric Backing Plate*



Diameter: 10-inch to 12-inch

Capacities: 3,500lbs to 8,000lbs

Self adjusting

BRAKES – ROTORS AND CALLIPERS

Integral Rotors*

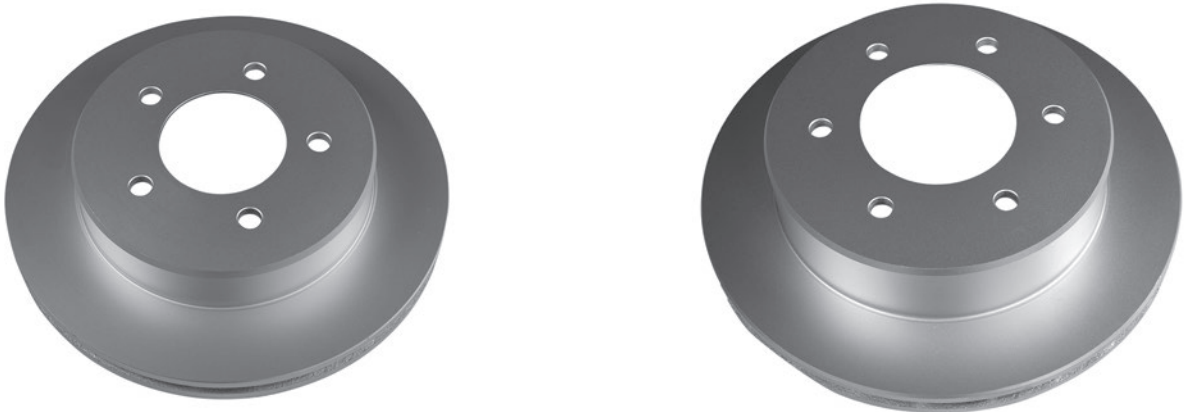


Diameter: 10-inch to 13-inch

Capacities: 3,500lbs to 8,000lbs

Studs: 5 to 8

Slip-over Rotor Caps*

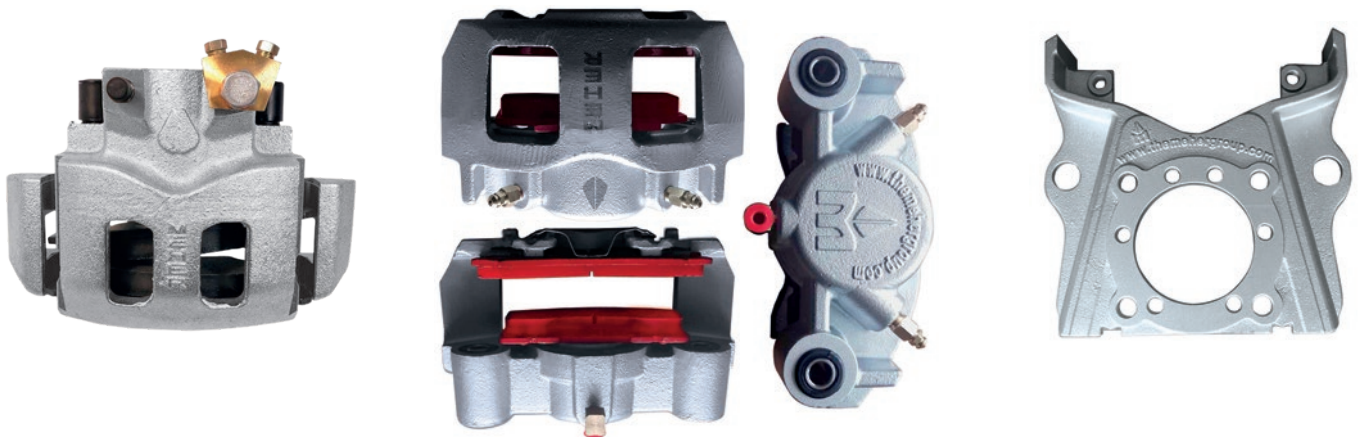


Diameter: 10-inch to 12-inch

Capacities: 3,500lbs to 6,000lbs

Studs: 5 to 6

Hydraulic Brake Callipers*



Capacities: 3,000lbs to 8,000lbs

Bracket: Incorporated, bolt-on

IDLER HUBS

Idler Hubs*



Capacities: 1,250lbs to 8,000lbs

Studs: 4 to 8

Spindles*



Capacities: 1,000lbs to 8,000lbs

Flanges: Custom made

Lube system: As per request



*** CUSTOM DESIGN:** Meher can now manufacture any product or component to customer specifications. If you have a unique size, please contact us and we will make for you.

Axle and Spindle Accessories*



SPLIT PIN



AXLE NUT



AXLE WASHER

Hub, Hub Drum and Rotor Accessories*



SEALS



BEARINGS



LUG NUTS



DUST CAPS

Hydraulic Accessories*



FORGED I



FORGED T



FORGED X



FORGED L

Brake Hose Assemblies*



BRAKE HOSE ASSEMBLY



FIXED FITTINGS



ROTATING FITTINGS



BRAKE HOSE



CUSTOM AXLE KIT SPECIFICATION SHEET

Meher manufactures braked and non-braked axles to customer specifications. The information below is to be used as a guide for the different axles that are currently manufactured and some of the options to build your customized axles.

Axles

What type of axle is need?



Straight



Overlay



Drop



Bent

Brakes

What types of brakes are needed?



Weldment



Idler



Disc: Hydraulic or Mechanical



Drum: Hydraulic, Mechanical or Electrical Drum

Suspension



Leaf Spring



Torsion

Axle camber

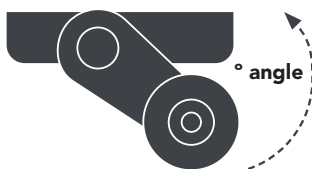


90° angle



Custom angle + or -

Torsion Arm Angle



Customized Angles

Capacity

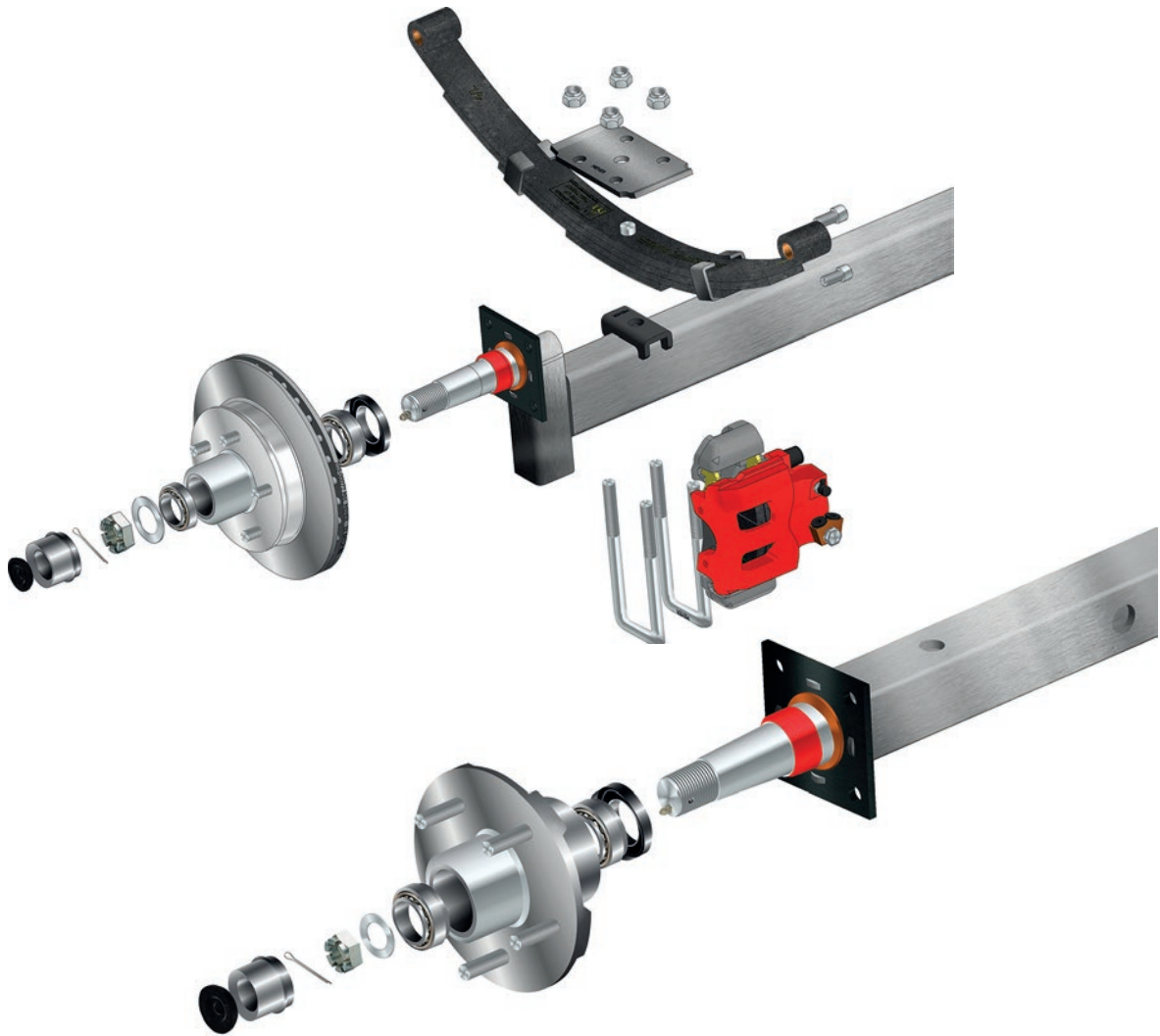


lbs

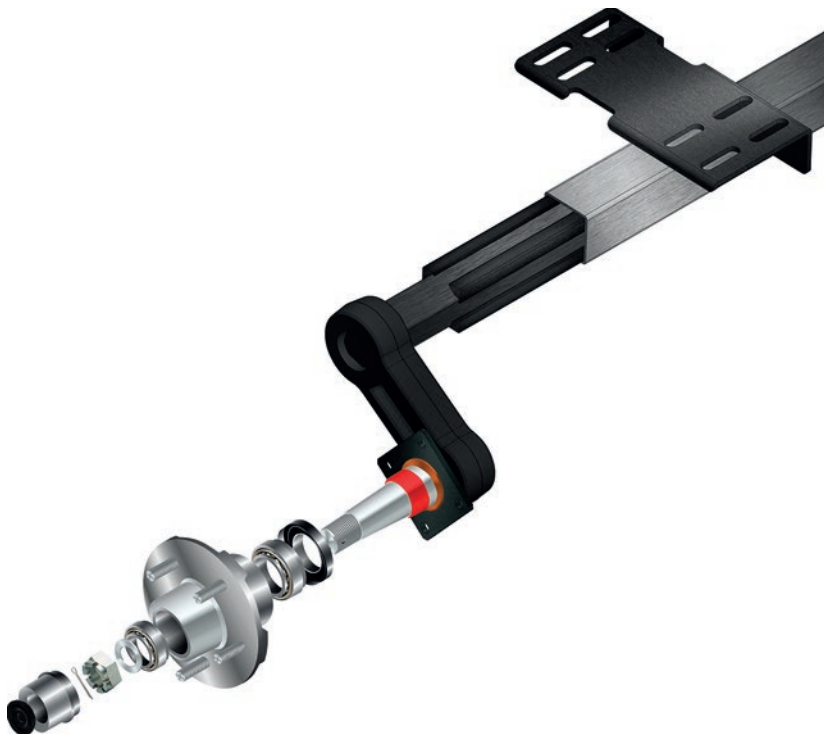
500lbs to 8,000lbs

SPRING AND TORSION AXLES

Spring Axles*



Torsion Axles*



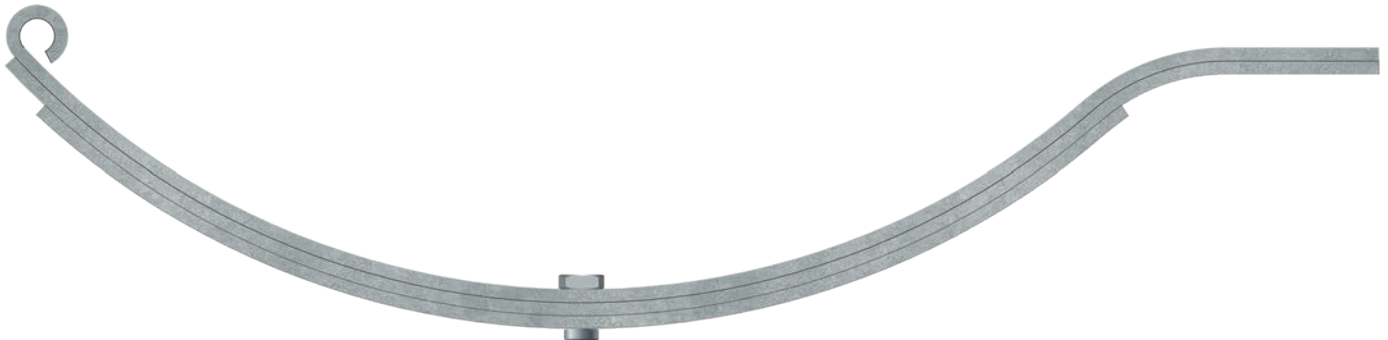
Zinc Tech Surface Finish

Using a combination of specialised base and top coats of pure zinc, Zinc Tech technology provides an unprecedented level of protection against corrosion. These versatile coatings are not limited to use in Springs, but are suitable for widespread use in a variety of applications.

Zinc Tech technology provides a much superior protection and durability than Hot Dip Galvanised surface finish especially on Springs eliminating the chance of Hydrogen Embrittlement and Strain-age Embrittlement.

Zinc Tech Coating have been used on our springs for more than a decade and has been time tested to prove excellent results in its performance.

Eye Slipper Spring*



Double Eye Spring*



* **CUSTOM DESIGN:** Meher can now manufacture any product or component to customer specifications. If you have a unique size, please contact us and we will make for you.

Spring Surface Finishes Comparison

Zinc Tech

All layers (including base layer) are pure zinc. This concept is used heavily in the automotive sector.

Advantages

1. High level of corrosion protection.
2. No change of hydrogen embrittlement.
3. Consistent finish.

Hot Dip Galvanising

First few layers are mix of zinc and iron, only last layer is pure zinc.

Advantages

1. Medium level of corrosion protection.

Disadvantages

1. Chance of hydrogen embrittlement.
2. Finish of galvanising can vary.

Dacromat

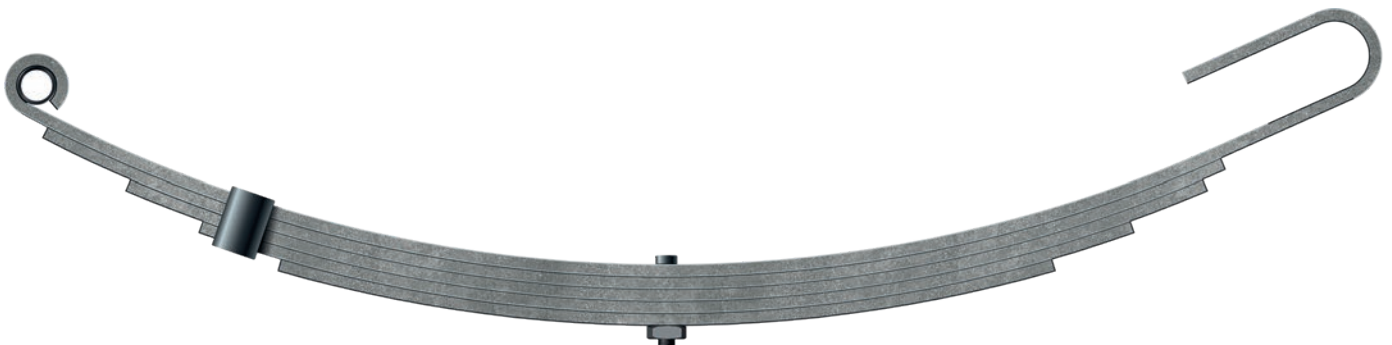
Advantages

1. No chance of hydrogen embrittlement.
2. Consistent finish.

Disadvantages

1. Zinc rich paint.
2. Low level of corrosion protection.
3. Generally only one layer of coating (like normal paint).

Open Eye Spring*



Hook End Spring*



*** CUSTOM DESIGN:** Meher can now manufacture any product or component to customer specifications. If you have a unique size, please contact us and we will make for you.

TORSION ARMS



TORSION ARMS*

Current capacities: 1,000lbs to 8,000lbs

Flanges: Customized

Lube system: As per request

Angle of Arm: As per request



*** CUSTOM DESIGN:** Meher can now manufacture any product or component to customer specifications. If you have a unique size, please contact us and we will make for you.

Steel Fenders*



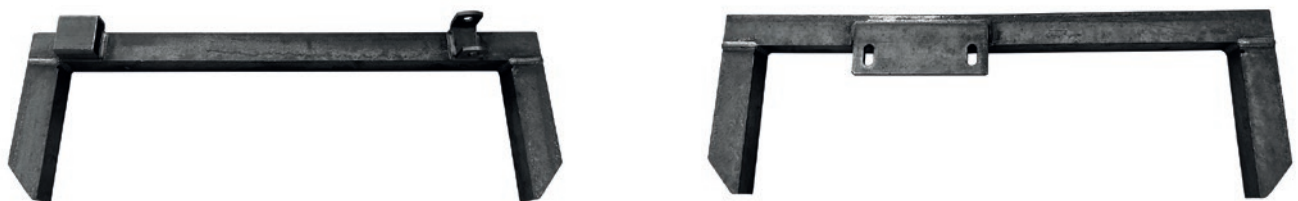
SINGLE, TANDEM AND TRI-AXLE

Plastic Fenders*



SINGLE, TANDEM AND TRI-AXLE

Under Carriage Slides*



SINGLE, TANDEM AND TRI-AXLE



*** CUSTOM DESIGN:** Meher can now manufacture any product or component to customer specifications. If you have a unique size, please contact us and we will make for you.

BOAT ROLLERS AND ACCESSORIES

Keel Rollers*



KRG
8-inch Keel Roller Gold



KRG
12-inch Keel Roller Gold



KRR
8-inch Keel Roller Red



KRR
12-inch Keel Roller Red

Keel Pad*



KPG
Keel Pad

V-Block*

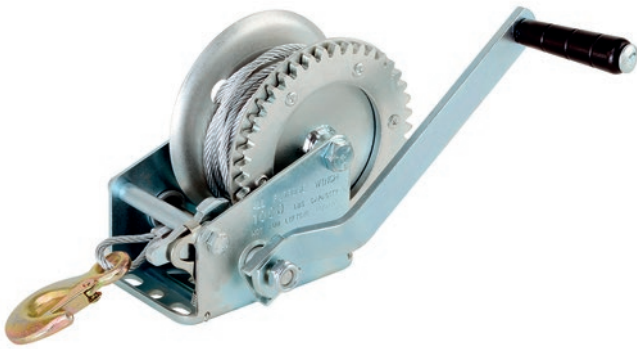


VBR
V-Block

Brackets*



Keel Rollers*



Capacities: 350lbs to 5,000lbs
Wind: Interchangeable, left, right

Strap: Customized
Mounting holes: Customized

Winch Brackets*



Winch Stands*



*** CUSTOM DESIGN:** Meher can now manufacture any product or component to customer specifications. If you have a unique size, please contact us and we will make for you.

MANUFACTURING ABILITIES

With a proud history of innovative manufacturing, Meher has been operating since 1995.

Our international presence extends across the Asia Pacific region to Africa, America and Europe. Within these locations, our business networks connect to manufacturing services, warehouse facilities and administration offices.

Our in-house manufacturing competencies span across CAD and CAM and are coupled with robotic arm welders, presses, casting and forging capabilities. Additionally, CNC lathes and laser cutting services also exist for complete manufacturing solutions.

This catalogue is not a complete list of items manufactured by Meher. With a wide range of machinery and manufacturing abilities, we will be able to manufacture customised items based on customer requirements. Contact the team to go through how we can manufacture these items for you.





Meet TrailSafe!
A safety solution for your recreational vehicle.
Integrated monitoring via your smartphone ensures
safety and comfort while on the road



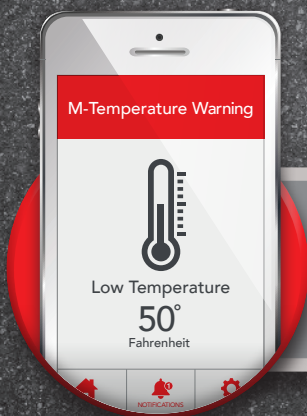
M-PRESSURE

You can now monitor your tyre pressures and be alerted if your pressures are too high or too low. M-Pressure immediately notifies you about the drastic changes in tyre pressure.



M-LEVEL

You can now level your caravan in minutes with the M-Level module. No need to rely on the old spirit levels, M-Level has extreme accuracy to ensure you set up your RV with ease and precision.



M-TEMPERATURE

Monitor the temperature in your RV and get an alert if something is not right. You can customize the alerts to ensure temperature is maintained to your desire.



M-ODOMETER

With the M-Odometer feature, you will be reminded when your trailer is due for a service.

**For more information, visit
www.themehergroup.com/trailsafe**



Meher USA Inc.

USA Head Office

1037 Germano Way, Pleasanton, CA 94566, USA

Phone: +1 773 943 9387 Email: sales@themehergroup.com

Head Office – Australia

11 National Drive, Hallam, VIC 3803, Australia

Phone: +61 3 8795 7088 Email: sales@themehergroup.com

Australia
Victoria
Queensland
New South Wales

New Zealand
Hamilton

Malaysia
Selangor

Mauritius
Quatre Bornes

UAE
Dubai

Netherlands
Delft

Canada
British Columbia

USA
Illinois

China

Hungary

India

www.themehergroup.com

