



TRAILER PRODUCTS

NEW ZEALAND PRODUCT CATALOGUE

ACKNOWLEDGEMENTS

Local Manufacturing

The Meher Group is a global company headquartered in Australia, with manufacturing units all over the world.

To best service our customers where we can, products are made and manufactured locally, onsite.

Our range of manufacturing abilities and machinery portfolio is always increasing.

Throughout the catalogue we have used this symbol to indicate which products are locally manufactured.



Copyright

© Copyright 2023 The Meher Group. All rights reserved.
New Zealand. Updated February 2023.

No part of this document may be reproduced, transferred or sold without the written permission of The Meher Group.

Acknowledgements

The time and effort contributed by The Meher Group staff for this catalogue is appreciated, in particular, we acknowledge the contribution of the team at Meher.

Occupational Health and Safety

Under WorkSafe regulations, employers have the obligation to identify hazards, assess risks and implement control measures relevant to their work environments and activities.

The Meher Group accepts no responsibility for other organisations' inappropriate use of this catalogue. The manufacturer needs to make sure all the hardware is fit for its intended purpose.

Disclaimer

Every care has been taken by The Meher Group in the compilation of the data contained herein and in verification of its accuracy when published. However, the content of this catalogue is subject to change without notice due to factors outside the control of The Meher Group and this catalogue should, therefore, be used as a guide only.

Procedures and methods described in this catalogue are provided as examples only. If you have any doubt, please contact our technical advisor or a professional.

Jockey Wheels and Stands	4
Couplings and Coupling Accessories	7
Hubs – Lazy	11
Hub Accessories	13
Brakes – Hub Discs	18
Brakes – Hub Discs Kits	19
Brakes – Drums	22
Hub Spare Parts and Accessories	24
Bearing Kits	25
Brake Parts – Calipers	26
Brake Parts – Disc and Drum	28
Springs	32
Spring Kits	39
Spring Parts	41
Spring Accessories	46
Axles	49
Axle Kits	52
U-bolts	54
Fish Plates	56
Mudguards	57
Mudflaps	58
Wheels and Tyres	59
Electrical	60
Accessories	62
Boat Rollers and Skids	64
Roller Accessories	66
Boat Trailer Accessories	74
Plates – Multi Use	76
Box Trailer Accessories	78
Cages and Fences	83
Raw Materials	84
How To Order	85
Order Form	86
Manufacturing Capabilities	88
Worksheets or Notes	98

JOCKEY WHEELS AND STANDS

Jockey Wheels



6-inch Premium – 400kg Static Load

DWBRKTG

6-inch dolly wheel
– galvanised



JWW50150CG

6-inch jockey wheel with
clamp – galvanised



JWS50150BG

6-inch jockey wheel with bolt
on bracket – galvanised



JWS50150G

6-inch jockey wheel with
U-bolt bracket – galvanised



8-inch Premium – 500kg Static Load

JWW50200CG

8-inch jockey wheel with
clamp – galvanised



JWS50200BG

8-inch jockey wheel with bolt
on bracket – galvanised



JWS50200G

8-inch jockey wheel U-bolt
bracket –galvanised



10-inch Premium – 500kg Static Load

JWW50250CG

10-inch jockey wheel with
clamp – galvanised



JWS50250BG

10-inch jockey wheel with
bolt on bracket – galvanised



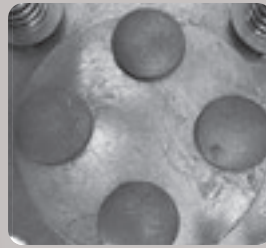
JWS50250G

10-inch jockey wheel with
U-bolt bracket – galvanised

JOCKEY WHEELS AND STANDS

JWSSB Jockey Wheel Swivel Bracket

The Meher JWSSB Jockey Wheel Swivel Bracket is designed to be stronger and more sturdy than others. Our four bolt design is far stronger and less likely to bend or deform.



Strong four bolt design

4 smaller bolts acting as a large single bolt adding strength and durability, reducing the chance of bending.



Strong handle

Strong plastic coated handle.

Jockey Wheel Spare Parts



JW6SPW

6-inch jockey spare wheel



JW8SW

8-inch jockey spare wheel



JW10SW

10-inch jockey spare wheel



JWHANDLE

Handle, universal grub screw and pin



JWSTBK

Thrust washer suit jockey wheels



JWSSBB

Swing-up bracket bolt on style weldable



JWCLAMP

Clamp for jockey wheel

JOCKEY WHEELS AND STANDS

JACKU

The Meher JACKU is the perfect solution for changing a wheel on caravans and trailers. The simple to use and smoothside winding operation allows for the caravan to be lifted easily with minimum effort.



Side winding

Side winding operation.



Slide clamp

Sliding clamp for all different heights.

Stand and Accessories



CVACSJ540G

Swing-up leg suits caravans



CVACJH

Handle to suit swing-up leg

COUPLINGS AND COUPLING ACCESSORIES

NZCO1785G

1 7/8-inch standard 2000kg New Zealand coupling.



Bolt holder

Grooves in the coupling allow the mounting bolt to be held in position when fastening, making installation easier.

Couplings



CFA200050G

50mm coupling 2, 3 and 4 hole 2000kg plunger – galvanised, without brakes



CO200050G

50mm override coupling 4 hole 2500kg plunger – galvanised



CO200050HKG

50mm override hydraulic coupling 4 hole 2500kg plunger – galvanised



CFA350050G

50mm electric coupling 3500kg – galvanised, without handbrake



CHB350050G

50mm electric coupling 3500kg – with HD ratcheting handbrake



MBCAG

Brake cable adjuster – galvanised

COUPLINGS AND COUPLING ACCESSORIES

Couplings



CFA2000178G
1 7/8-inch coupling 2, 3 and 4 hole 2000kg plunger – galvanised, without brakes



CO2000178G
1 7/8-inch override coupling 4 hole 2500kg plunger – galvanised



CO2000178HKG
1 7/8-inch override hydraulic coupling 4 hole 2500kg plunger – galvanised



CFA3500178G
1 7/8-inch electric coupling 3500kg – galvanised, without handbrake



1 7/8-inch electric coupling 3500kg – with HD ratcheting handbrake



MBCAG
Brake cable adjuster – galvanised

Coupling Spare Parts and Accessories



ACSC
Clip and spring



ACAB
Tow ball adjusting bolt



ACORS
Reversing latch to suit override coupling



TB503500C
Tow ball, 50mm – 3500kg chrome



ACOLPINK
Coupling locking pin kit

COUPLINGS AND COUPLING ACCESSORIES

Coupling Handbrake Spare Parts



ACOMBHA
A-frame handbrake



BAHBA50G
50mm boat trailer handbrake
– no bolts or bushes

BAHBA75G
75mm boat trailer handbrake
– no bolts or bushes



BAHBA90G
90mm boat trailer handbrake
– no bolts or bushes

BAHBA100G
100mm boat trailer handbrake
– with bolts and bushes

COUPLINGS AND COUPLING ACCESSORIES

Hydraulic Coupling Spare Parts



ACOHBH
Hydraulic coupling handbrake – galvanised



BHMC3/4
Master cylinder 3/4-inch



BHMC3/4CAP
Master cylinder cap 3/4-inch



BHMC7/8
Master cylinder 7/8-inch

Base Plates



CABP2HN
2-hole base plate for non-braked couplings



CABP3HN
3-hole base plate for non-braked couplings



CAB4HN
4-hole base plate for electric and override couplings



New Zealand Coupling Plates



CPNBNZ
Coupling plate for non braked standard – New Zealand



CPNBA
Coupling plate for non braked standard – Australian



CPBNZ
Coupling plate late braked – New Zealand



Up to 1750kg Lazy Hub



Without Bearing Kit

HLMNBN – Natural

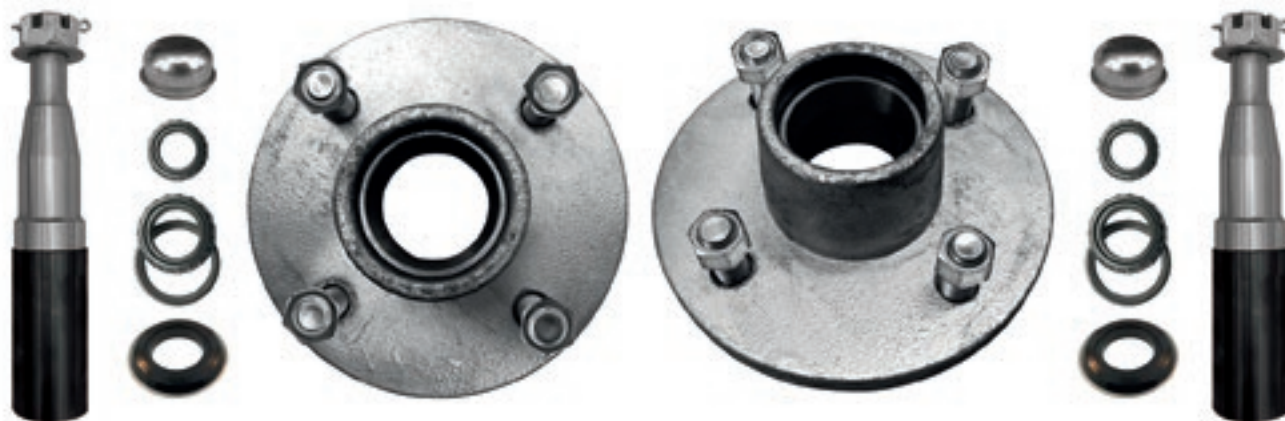
HLMNBG – Galvanised

4 x 4-inch (101.6mm) PCD, 7/16-inch Wheel Nuts

HLGNBN – Natural

HLGNBG – Galvanised

4 x 3.93-inch (100mm) PCD, 7/16-inch Wheel Nuts



M139GNNSKS

Premium Japanese Bearings

M139GNKPS

Premium Chinese Bearings

M139GSTK

Premium Chinese Bearings – **NO STUB AXLES**

Kit contains

- 2 x M139GN Hubs
- 2 x Stub Axles 39mm x 200mm – complete
- 2 x Marine Seals
- 2 x Seal Retaining Washer SS

- 2 x LM11949 Bearings
- 2 x LM67048 Bearings
- 2 x Dust Caps
- 8 x Wheel Nuts



HUB ASSEMBLY

All hubs can be supplied in or with the following;

- With no cones inserted,
- Premium quality Chinese bearings,
- Premium quality Japanese bearings,

HUBS – LAZY

Up to 1750kg Lazy Hub



Without Bearing Kit

HLHTNBN – Natural
HLHTNBG – Galvanised
5 x 4.25-inch (107.95mm) PCD
7/16-inch Wheel Nuts

HLFNBN – Natural
HLFNBG – Galvanised
5 x 4.5-inch (114.3mm) PCD
1/2-inch Wheel Nuts

HLHQBNB – Natural
HLHQNBG – Galvanised
5 x 4.75-inch (120.65mm) PCD
7/16-inch Wheel Nuts



HLFLMGNSKKS – Lazy Hub Ford Set 1500kg with NSK Bearings and Stubs

Kit contains

2 x HLFNBG Hubs
2 x Stub Axles 45mm x 215mm – complete
2 x Marine Seals
2 x Seal Retaining Washer SS

2 x LM67048 Bearings
2 x LM12749 Bearings
2 x Dust Caps
10 x Wheel Nuts



HUB ASSEMBLY

All hubs can be supplied in or with the following;

- With no cones inserted,
- Premium quality Chinese bearings,
- Premium quality Japanese bearings,

Up to 1750kg Lazy Hub

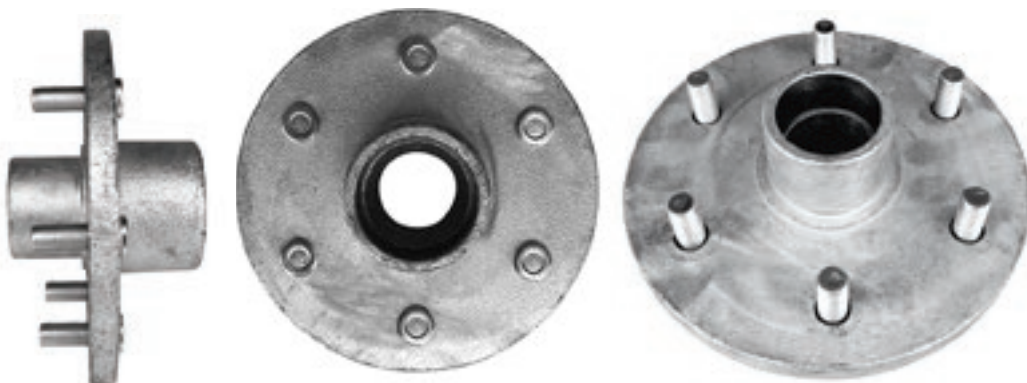


HLFLMGNSKKS – Lazy Hub Ford Set 1750kg with NSK Bearings and Stubs

Kit contains

- | | |
|--|----------------------|
| 2 x HLFNBG Hubs | 2 x L68149 Bearings |
| 2 x Stub Axles 45mm x 215mm – complete | 2 x LM12749 Bearings |
| 2 x Marine Seals | 2 x Dust Caps |
| 2 x Seal Retaining Washer SS | 10 x Wheel Nuts |

Up to 3000kg Lazy Hub



Without Bearing Kit

- HLLCNCN – Natural
 HLLCNCG – Galvanised
 6 x 5.5-inch (139.7mm) PCD, ½-inch Wheel Nuts



HUB ASSEMBLY

All hubs can be supplied in or with the following;

- With no cones inserted,
- Premium quality Chinese bearings,
- Premium quality Japanese bearings,

HUB ACCESSORIES

Up to 1750kg Lazy Hub Additional Items – sold separately



HADC
Cap



HABB
Greaseable dust cap



HABBD
Greaseable dust cap
(suits alloy wheels)



HABBBRA
Greaseable dust cap cover



Standard Seal Bearing Kit (with cap)

BKLM-SC
1500kg Chinese

BKLM-SP
1500kg Premium



BKSL-SC
1750kg Chinese

BKSL-SP
1750kg Premium



Marine Seal Bearing Kit (no cap)

BKLM-MC
1500kg Chinese

BKLM-MP
1500kg Premium



BKSL-MC
1750kg Chinese

BKSL-MP
1750kg Premium



MARINE SEAL INSTALLATION

When assembling a marine seal, it is critical that the seal is greased. Failing to do so will cause the seal to spin on the shaft instead of internally and will lead to failure. We supply the parts unassembled and ungreased standard so that it can be welded and packed with your choice of high quality grease.

Up to 1500kg Stub Axle – Round



SALM39200M
39mm round, 200mm long



SALM39200
39mm round, 200mm long



SALM39250
39mm round, 250mm long



Up to 1500kg Stub Axle – Square



SALM40250
40mm square, 250mm long



SALM40305
40mm square, 305mm long



SALM45S250MN
40mm braked square, 250mm long



CUSTOM SPECIFICATIONS

Meher can now manufacture axle beams to customer specifications. See order form on pages 42-43 to fill in and provide us with your specifics and we will build for you.

HUB ACCESSORIES

Up to 1750kg Stub Axle – Round and Square



SASL45215
45mm round, 215mm long



SASL45250
45mm round, 250mm long



SASL45305
45mm round, 305mm long



SASL45S250MN
45mm braked square, 250mm long



Up to 2000kg Stub Axle – Square



SALC50300
50mm square, 300mm long



CUSTOM SPECIFICATIONS

Meher can now manufacture axle beams to customer specifications. See order form on pages 42-43 to fill in and provide us with your specifics and we will build for you.

Additional Items – sold separately



HADC63
Cap



6 x WN12
Wheel nuts



SALC50293
Stub axle



Standard Seal Bearing Kit (with cap)
BK2T-67048/25580SP
Premium



Marine Seal Bearing Kit (no cap)
BK2T-67048/25580MP
Premium



SASPZ
Axle split pin 32mm x 25mm



SANUT3/4
Axle nut 3/4-inch UNF



SAFWZ
Axle washer

BRAKES – HUB DISCS

Hub Discs – New Zealand Style
Disc Rotor – Up to 1750kg – Hydraulic and Mechanical



Without Bearing Kit

HDF9NBG – Galvanised

5 x 4.5-inch (114.3mm) PCD, ½-inch Wheel Nuts



Without Bearing Kit

HDF9NBGSS – Stainless Steel

5 x 4.5-inch (114.3mm) PCD, ½-inch Wheel Nuts

BRAKES – HUB DISCS KITS



With NSK Bearings and Stubs*

HDF9LMGKS

1500kg Ford disc hub braked set

Kit contains

- 2 x HDF9NBG Hubs
- 2 x Stub Axles 45mm x 250mm – complete
- 2 x Marine Seals
- 2 x Seal Retaining Washer SS
- 2 x LM11949 Bearings
- 2 x LM67048 Bearings
- 2 x Dust Caps
- 10 x Wheel Nuts

HDF9SLGKS

1750kg Ford disc hub braked set

Kit contains

- 2 x HDF9NBG Hubs
- 2 x Stub Axles 45mm x 215mm – complete
- 2 x Marine Seals
- 2 x Seal Retaining Washer SS
- 2 x L68149 Bearings
- 2 x LM12749 Bearings
- 2 x Dust Caps
- 10 x Wheel Nuts



With NSK Bearings and Stubs*

HDF9LMSSKS

1500kg Ford SS disc hub braked set

Kit contains

- 2 x HDF9NBGSS Hubs
- 2 x Stub Axles 45mm x 250mm – complete
- 2 x Marine Seals
- 2 x Seal Retaining Washer SS
- 2 x LM11949 Bearings
- 2 x LM67048 Bearings
- 2 x Dust Caps
- 10 x Wheel Nuts

HDF9SLSSKS

1750kg Ford SS disc hub braked set

Kit contains

- 2 x HDF9NBGSS Hubs
- 2 x Stub Axles 45mm x 250mm – complete
- 2 x Marine Seals
- 2 x Seal Retaining Washer SS
- 2 x L68149 Bearings
- 2 x LM12749 Bearings
- 2 x Dust Caps
- 10 x Wheel Nuts



*** PLEASE NOTE: All Hub Kits are available without stub axles.**

BRAKES – HUB DISCS KITS

Hub Discs – New Zealand Style

Disc Rotor – Up to 1750kg – Hydraulic and Mechanical



With NSK Bearings and Stubs*

HDF9LMGKSC – Galvanised

1500kg braked set with calipers

Kit contains

- 2 x HDF9NBN Hubs
- 2 x HBCFGNZ Calipers
- 2 x Stub Axles 45mm x 250mm – complete
- 2 x Marine Seals
- 2 x Seal Retaining Washer SS
- 2 x LM11949 Bearings
- 2 x LM67048 Bearings
- 2 x Dust Caps
- 10 x Wheel Nuts

HDF9SLGKC – Galvanised

1750kg braked set with calipers

Kit contains

- 2 x HDF9NBN Hubs
- 2 x HBCFGNZ Calipers
- 2 x Stub Axles 45 mm x 250mm – complete
- 2 x Marine Seals
- 2 x Seal Retaining Washer SS
- 2 x LM12749 Bearings
- 2 x L68149 Bearings
- 2 x Dust Caps
- 10 x Wheel Nuts



*** PLEASE NOTE: All Hub Kits are available without stub axles.**

Hub Discs – New Zealand Style

Disc Rotor – Up to 1750kg – Hydraulic and Mechanical



With NSK Bearings and Stubs*

HDF9SSNSKK – Stainless Steel

1500kg braked set with calipers

Kit contains

- 2 x HDF9NBSS Hubs
- 2 x HBCFSS Calipers
- 2 x Stub Axles 45mm x 250mm – complete
- 2 x Marine Seals
- 2 x Seal Retaining Washer SS
- 2 x LM11949 Bearings
- 2 x LM67048 Bearings
- 2 x Dust Caps
- 10 x Wheel Nuts

HDF9SLSSNSKK – Stainless Steel

1750kg braked set with calipers

Kit contains

- 2 x HDF9NBSS Hubs
- 2 x HBCFSS Calipers
- 2 x Stub Axles 45mm x 250mm – complete
- 2 x Marine Seals
- 2 x Seal Retaining Washer SS
- 2 x LM12749 Bearings
- 2 x L67049 Bearings
- 2 x Dust Caps
- 10 x Wheel Nuts



*** PLEASE NOTE: All Hub Kits are available without stub axles.**

BRAKES – DRUMS

Up to 1500kg 9-inch x 1-3/4-inch – Hydraulic and Mechanical



Without Bearing Kit

HHCDNB9G – Galvanised

5 x 4.7-inch (120mm) PCD, 7/16-inch Wheel Nuts

HHFNB9G – Galvanised

5 x 4.5-inch (114.3mm) PCD, 1/2-inch Wheel Nuts



ELB10K

1500kg 10-inch electric brake kit

Kit contains

- 1 x EB10LB Electric Backing Plate Left
- 1 x EB10RB Electric Backing Plate Right
- 2 x HEFNB10N Drum
- 2 x LM67048 Bearings
- 2 x LM11949 Bearings

- 2 x Marine Seals
- 2 x Seal Retaining Washer SS
- 2 x Dust Caps
- 2 x Stub Axles
- 10 x Wheel Nuts

Up to 1750kg 10-inch x 2-1/4-inch – Electric



Without Bearing Kit

HEFNB10G – Galvanised

5 x 4.5-inch (114.3mm) PCD, 1/2-inch Wheel Nuts

HEFNBG10N – Natural

6 x 5.5-inch (139.7mm) PCD, 1/2-inch Wheel Nuts



ELB10K1750

1750kg 10-inch electric brake kit

Kit contains

- 1 x EB10LB Electric Backing Plate Left
- 1 x EB10RB Electric Backing Plate Right
- 2 x HEFNB10N Drum
- 2 x L67049 Bearings
- 2 x LM11249 Bearings

- 2 x Marine Seals
- 2 x Seal Retaining Washer SS
- 2 x Dust Caps
- 2 x Stub Axles
- 10 x Wheel Nuts

Up to 2000kg 12-inch x 2-inch – Electric



Without Bearing Kit

HEL CNB12G – Galvanised

6 x 5.5-inch (139.7mm) PCD, 1/2-inch Wheel Nuts

HUB SPARE PARTS AND ACCESSORIES

Additional Items – sold separately



For wheel nut information see opposite
HADC63
 Cap



SALC50293
 Stub axle



Standard seal bearing kit (with cap)
BK2T-15123/30210SP



HABBBRA
 Greaseable dust cap bra



HABB
 Greaseable dust cap, 45mm



HABBD
 Greaseable dust cap suits
 Meher alloy wheels



HADC
 Dust cap, 45mm



SASPZ
 Axle split pin 32mm x 25mm



SANUT3/4
 Axle nut 3/4-inch UNF



SAFWZ
 Axle washer



WN716Z
 Wheel nut 7/16-inch



WN12Z
 Wheel nut 1/2-inch UNF



HAWS716Z
 Wheel stud 7/16-inch UNF
 zinc finish



HAWS12G
 Wheel stud 1/2-inch UNF
 zinc finish.

Standard Seal



BKLM-SS – Chinese
BKLM-SP – Premium
 1500kg standard seal bearing kit.
 Includes standard cap and split pin.



BKSL-SS – Chinese
BKSL-SP – Premium
 1750kg standard seal bearing kit.
 Includes standard cap and split pin.



BK2T-15123/30210SP – Premium
 3000kg – 31.7mm x 61.9mm and HR30210 – 50.0mm x 89.9mm.
 Includes 63mm cap, split pin and standard seal.



BK2T-67048/25580SP – Premium
 3000kg – 31.7mm x 59.1mm and Z5580/20 – 44.4mm x 82.8mm.
 Includes 63mm cap, split pin and standard seal.

Marine Seal



BKLM-MS – Chinese
BKLM-MP – Premium
 1500kg marine seal bearing kit.
 Cap not included for those using greaseable caps.



BKSL-MS – Chinese
BKSL-MP – Premium
 1750kg marine seal bearing kit.
 Cap not included for those using greaseable caps.



BK2T-67048/25580MP – Premium
 3000kg – 31.7mm x 59.1mm and 44.4mm x 82.8mm.
 Includes 63mm cap, split pin and marine seal.



BK2T-15123/30210MP – Premium
 3000kg – 31.7mm x 61.9mm and HR30210 – 50.0mm x 89.9mm.
 Includes 63mm cap, split pin and marine seal.

BRAKE PARTS – CALIPERS

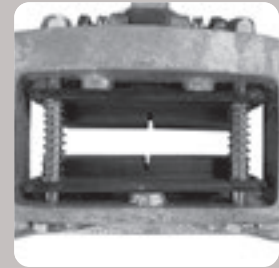
MBCGND

Mechanical caliper with brake pad retaining springs – galvanised.



Special spring

Engineered to last longer and be durable, so reduces the need to replace.



Relaxing springs

Special springs to retreat brake pads when not in use.

Calipers



HBCFGNZ

Hydraulic caliper – *Only for New Zealand disc hubs*



HBCFGAU

Hydraulic caliper – *Only for Australian disc hubs*



HBCFSS

Hydraulic caliper SS

Mechanical Caliper Spare Parts



AMBBPND

Mechanical disc brake pads



AMBSBND

Mechanical caliper stainless steel bush 12.7 x 17 x 50mm



AMBCGNDWP

Mechanical caliper T pad pressure plate



AMBRSK

Mechanical caliper new style spring



AMBMB716Z

Caliper mounting bolt grade 5 7/16-inch UNF x 2-1/4-inch long



AMBMP716KG

Mechanical caliper mounting plate

Hydraulic Caliper Spare Parts



BHMC3/4
3/4-inch master cylinder



BHMC7/8
7/8-inch master cylinder



BHMC1
1-inch master cylinder



AHBPAD
Hydraulic caliper brake pad to suit 1 caliper



AHBPADSS
Hydraulic caliper brake pad stainless steel backing to suit 1 caliper



AMBMP12KG
Caliper mounting plate suits 40mm and 45mm axles



AHBOLT
Hydraulic caliper stud



AHPINBOOT
Hydraulic caliper arm sandwich seal



AHPISTON
Hydraulic piston



AHPSEAL
Hydraulic wiper seal



AHORING
Hydraulic piston seal



AHBSCREW
Hydraulic caliper bleed screw



AHBUSH
Hydraulic caliper slide pin bush



AHMBOLT
Mounting bolt with washer for hydraulic caliper



AHPIN
Slide pin



AHSCREWCAP
Screw cap for hydraulic caliper



CALIKT1
Caliper repair kit – suits 1 caliper
Kit contains
1 x Piston O ring
1 x Piston seal
2 x Pin boots

BRAKE PARTS – DISC AND DRUM

Mechanical Disc and Drum Spare Parts



MBCA
Brake Cable Kit – includes
10 metre cable 4mm, 2 clamps
and cable adjuster



AMBCAG
Cable adjuster – galvanised



MBCPC
Cable 4mm nylon-coated –
per metre – galvanised



MBCSS4PC
Cable 4mm nylon coated
stainless steel – per metre



MBCSS5PC
Cable 5mm – per metre
– stainless steel



BAWRCSS
Cable clamp 4.8mm –
stainless steel



BAWRC
Cable clamp 8mm –
galvanised

Mechanical Drum Spare Parts



MB9L
Mechanical backing plate left



MB9R
Mechanical backing
plate right



SAWEMR39N
Mechanical weld plate
39mm round



SAWEMS40N
Mechanical weld plate
40mm square



SAWEMR45N
Mechanical weld plate
45mm round



SAWEMS45N
Mechanical weld plate
45mm square



BIF716X1-5Z
7/16-inch UNF bolt 1-inch
long grade 5 zinc



NNI716FZ
7/16-inch UNF nyloc nut

BRAKE PARTS – DISC AND DRUM

Hydraulic Brake Spare Parts



BABT
Bundy tube brass $\frac{3}{16}$ -inch plastic coated per metre



BH400
Hydraulic hose 400mm long female / male



BH500
Hydraulic hose 500mm long female / male



BH400M
Hydraulic hose 400mm long male / male



BABTLN
 $\frac{3}{8}$ -inch Inverted flare long nut suits $\frac{3}{16}$ -inch tube



BABTSN
 $\frac{3}{8}$ -inch Inverted flare short nut suits $\frac{3}{16}$ -inch tube



BAHCMC
 $\frac{3}{8}$ -inch Inverted flare female / male copper washer seal



BAHFCF
 $\frac{3}{8}$ -inch Inverted flare female / female



BA3WTP
 $\frac{3}{8}$ -inch Inverted flare tee bulkhead suits $\frac{3}{16}$ -inch tube



BHCLIP
Brake hose hairpin clip



BHBRACKET
Brake hose weld / fastening bracket



BACU
Copper washers

Brake Hose Kits



BHSAKIT
Single axle brake hose kit



BHTAKIT
Tandem axle brake hose kit

BRAKE PARTS – DISC AND DRUM

Hydraulic Drum Spare Parts



HB9L
Hydraulic backing plate left



HB9R
Hydraulic backing plate right



SAWHR39N
Hydraulic weld plate 39mm round hole



SAWHS40N
Hydraulic weld plate 40mm square hole



SAWHR45N
Hydraulic weld plate 45mm round hole



SAWHS45N
Hydraulic weld plate 45mm square hole



BIF38X1-5Z
 $\frac{3}{8}$ -inch UNF bolt 1-inch long grade 5 zinc



NNI38FZ
 $\frac{3}{8}$ -inch nyloc nut

BRAKE PARTS – DISC AND DRUM

10-inch and 12-inch Electric Drum Spare Parts



EB10LP
10-inch black backing plate
– left



EB10RP
10-inch black backing plate
– right



EB12LP
12-inch black backing plate
– left



EB12RP
12-inch black backing plate
– right



EB12LPG
12-inch galvanised backing
plate – left



EB12RPG
12-inch galvanised backing
plate – right



EB10BS
10-inch Brake shoes – pair



EBS
Drum spring – stainless steel



EB10M
10-inch electric magnet



SAWEMR39N
10-inch weld plate 39mm
round



SAWEMS40N
10-inch weld plate 40mm
square



SAWEMR45N
10-inch weld plate 45mm
round



SAWEMS45N
10-inch weld plate 45mm
square



SAWES50N-12
12-inch weld plate 50mm
square



NNI716FZ
7/16-inch UNF nyloc nut

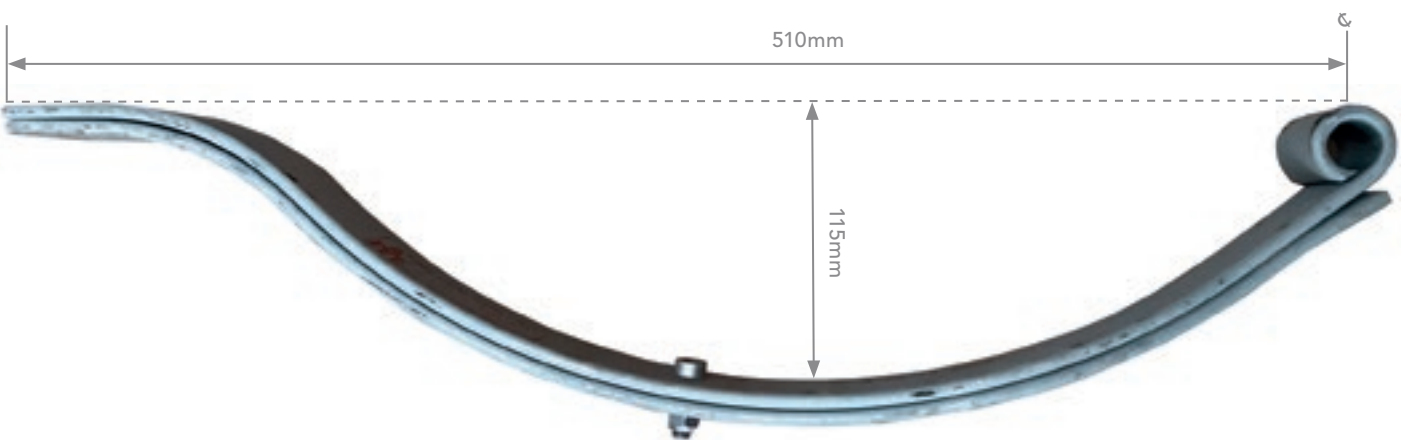
Zinc Tech Surface Finish

Using a combination of specialised base and top coats of pure zinc, Zinc Tech technology provides an unprecedented level of protection against corrosion. These versatile coatings are not limited to use in Springs, but are suitable for widespread use in a variety of applications.

Zinc Tech technology provides a much superior protection and durability than Hot Dip Galvanised surface finish especially on Springs eliminating the chance of Hydrogen Embrittlement and Strain-age Embrittlement.

Zinc Tech Coating have been used on our springs for more than a decade and has been time tested to prove excellent results in its performance.

50mm x 6mm Eye Slipper Spring*



Zinc Tech

MTP-D2-ZT 2 leaf – 500kg



*** PLEASE NOTE:** For tandem use, a 20% reduction to weight rating is required for non load sharing springs. The above weight ratings are for single axle applications.

Spring Surface Finishes Comparison

Zinc Tech

All layers (including base layer) are pure zinc. This concept is used heavily in the automotive sector.

Advantages

1. High level of corrosion protection.
2. No change of hydrogen embrittlement.
3. Consistent finish.

Hot Dip Galvanising

First few layers are mix of zinc and iron, only last layer is pure zinc.

Advantages

1. Medium level of corrosion protection.

Disadvantages

1. Chance of hydrogen embrittlement.
2. Finish of galvanising can vary.

Dacromat

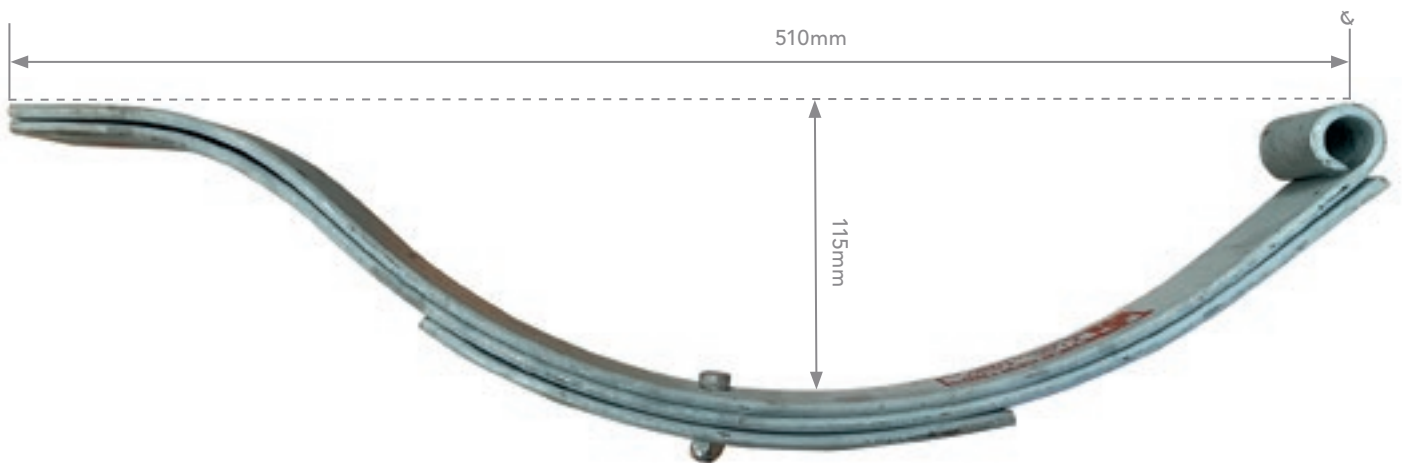
Advantages

1. No chance of hydrogen embrittlement.
2. Consistent finish.

Disadvantages

1. Zinc rich paint.
2. Low level of corrosion protection.
3. Generally only one layer of coating (like normal paint).

50mm x 6mm Eye Slipper Spring*



Zinc Tech

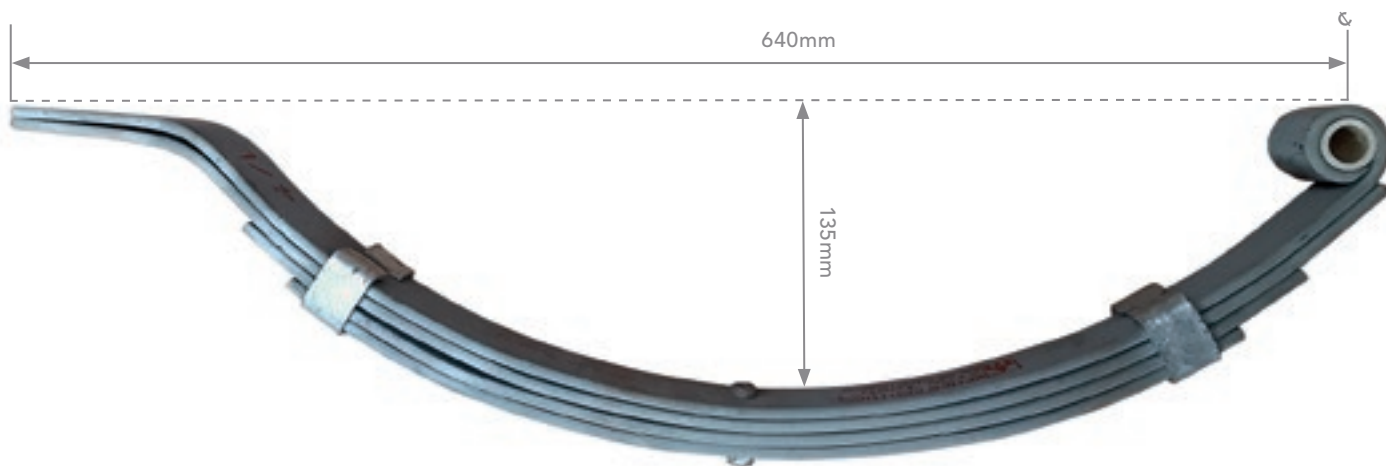
MTP-D3-ZT 3 leaf – 750kg



*** PLEASE NOTE:** For tandem use, a 20% reduction to weight rating is required for non load sharing springs. The above weight ratings are for single axle applications.

SPRINGS

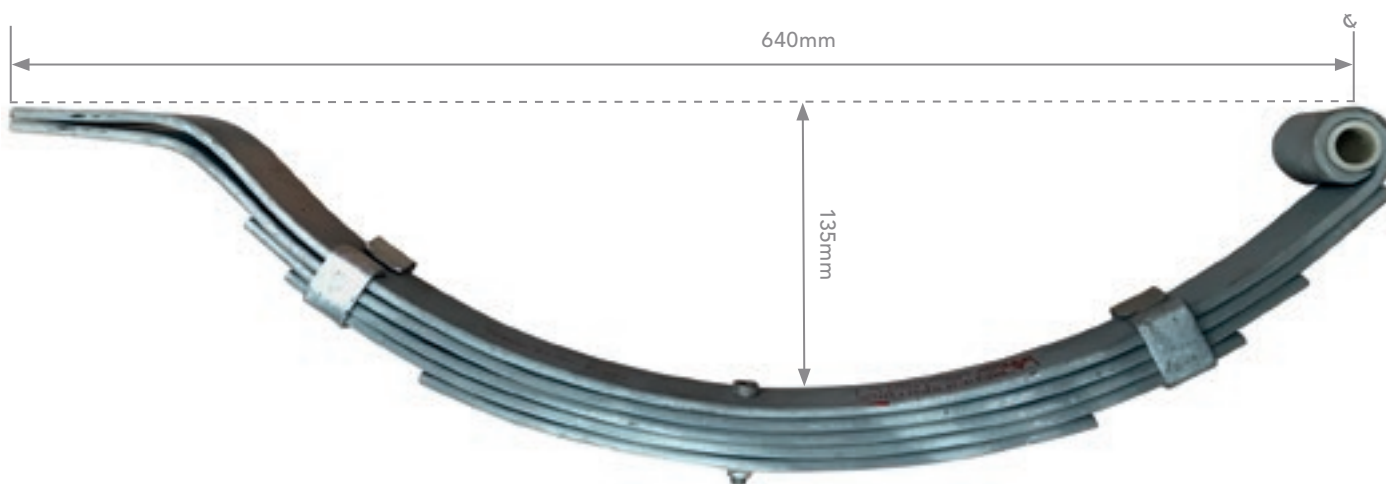
50mm x 6mm Deep V Eye Slipper Spring*



Zinc Tech

MTP-DV4-ZT 4 leaf – 1000kg

50mm x 6mm Deep V Eye Slipper Springs*



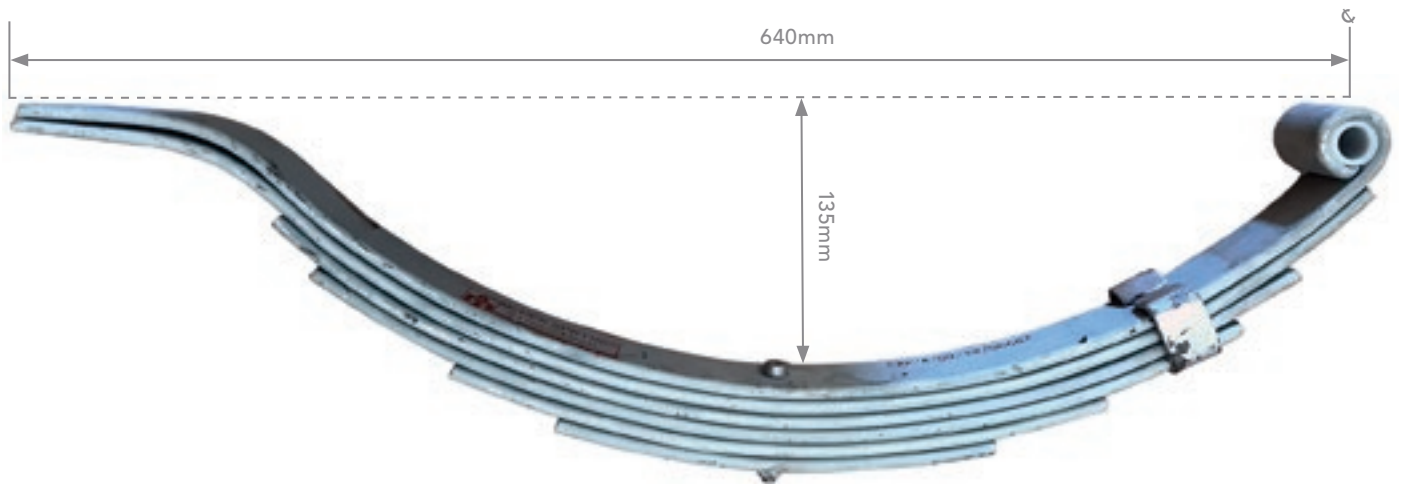
Zinc Tech

MTP-DV5-ZT 5 leaf – 1250kg



*** PLEASE NOTE:** For tandem use, a 20% reduction to weight rating is required for non load sharing springs. The above weight ratings are for single axle applications.

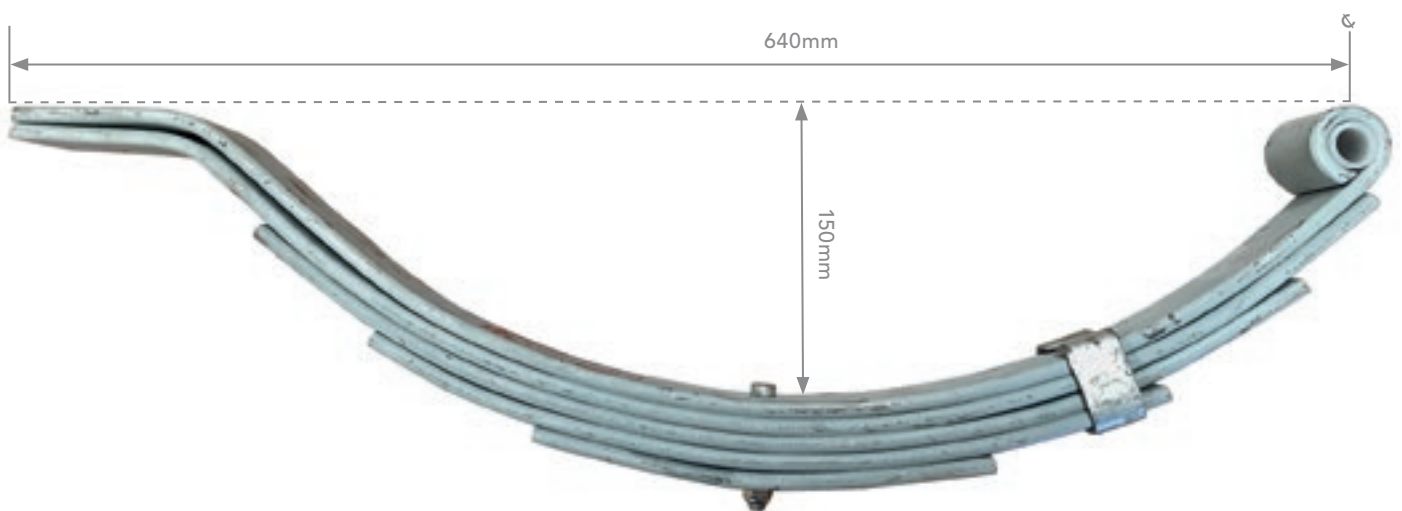
50mm x 6mm Deep V Eye Slipper Spring*



Zinc Tech

MTP-DV6-ZT 6 leaf – 1500kg

50mm x 8mm Heavy Duty Deep V Eye Slipper Springs*



Zinc Tech

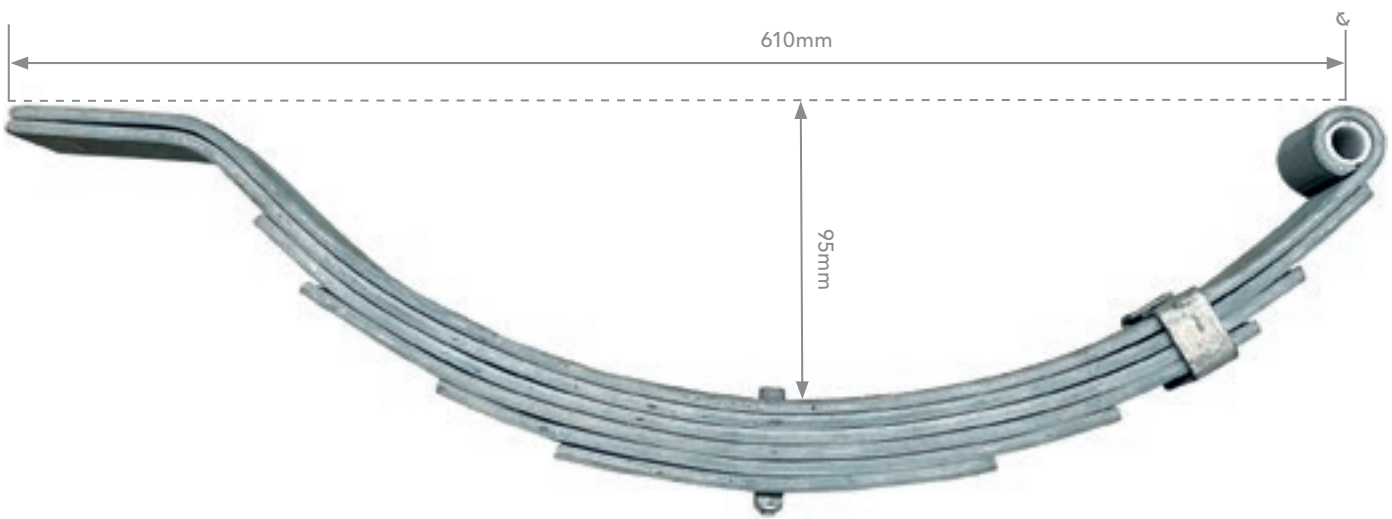
MTP-HDDV5-ZT 5 leaf – 1500kg



*** PLEASE NOTE:** For tandem use, a 20% reduction to weight rating is required for non load sharing springs. The above weight ratings are for single axle applications.

SPRINGS

50mm x 6mm Eye Slipper Spring*



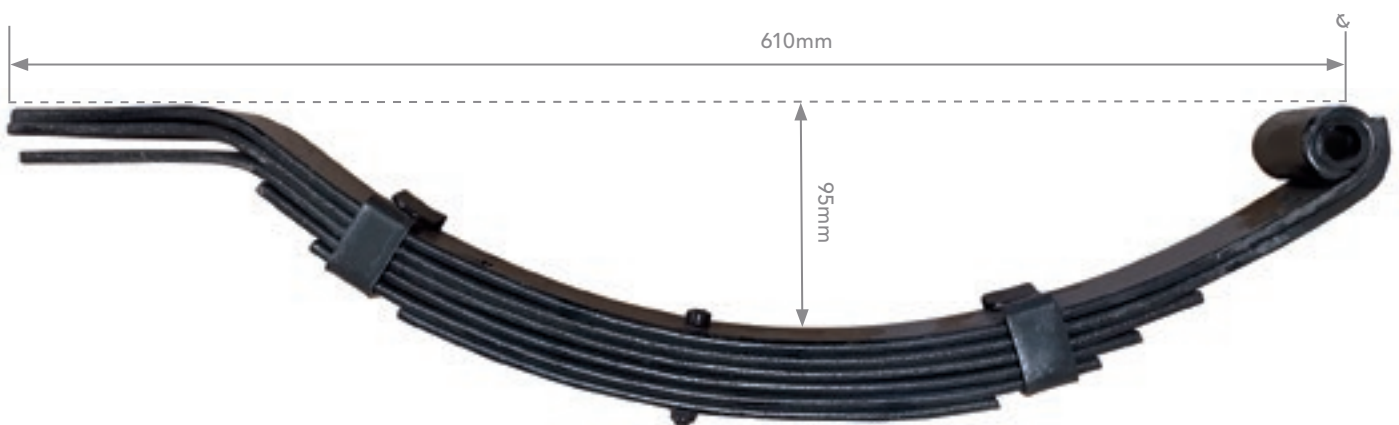
Zinc Tech

S3ES506ZT 3 leaf – 750kg
S4ES506ZT 4 leaf – 1000kg

S5ES506ZT 5 leaf – 1250kg
S6ES506ZT 6 leaf – 1500kg

S8ES506ZT 8 leaf – 1800kg

50mm x 6mm Eye Slipper Spring*



Black

S3ES506B 3 leaf – 750kg
S4ES506B 4 leaf – 1000kg

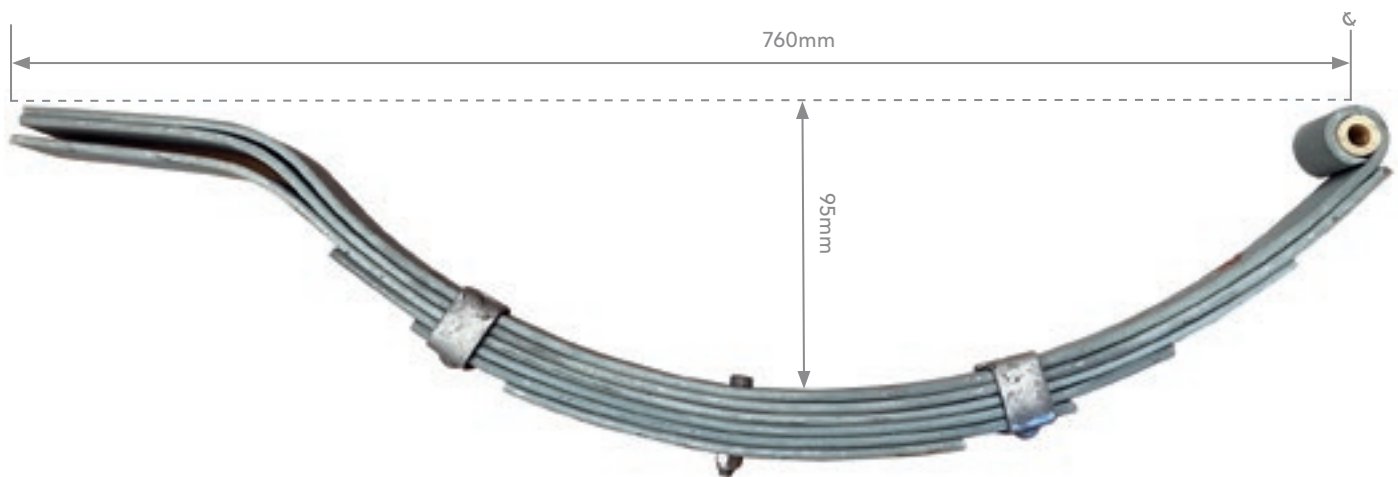
S5ES506B 5 leaf – 1250kg
S6ES506B 6 leaf – 1500kg

S8ES506B 8 leaf – 1800kg



*** PLEASE NOTE:** For tandem use, a 20% reduction to weight rating is required for non load sharing springs. The above weight ratings are for single axle applications.

45mm x 6mm Eye Slipper Spring*



Zinc Tech

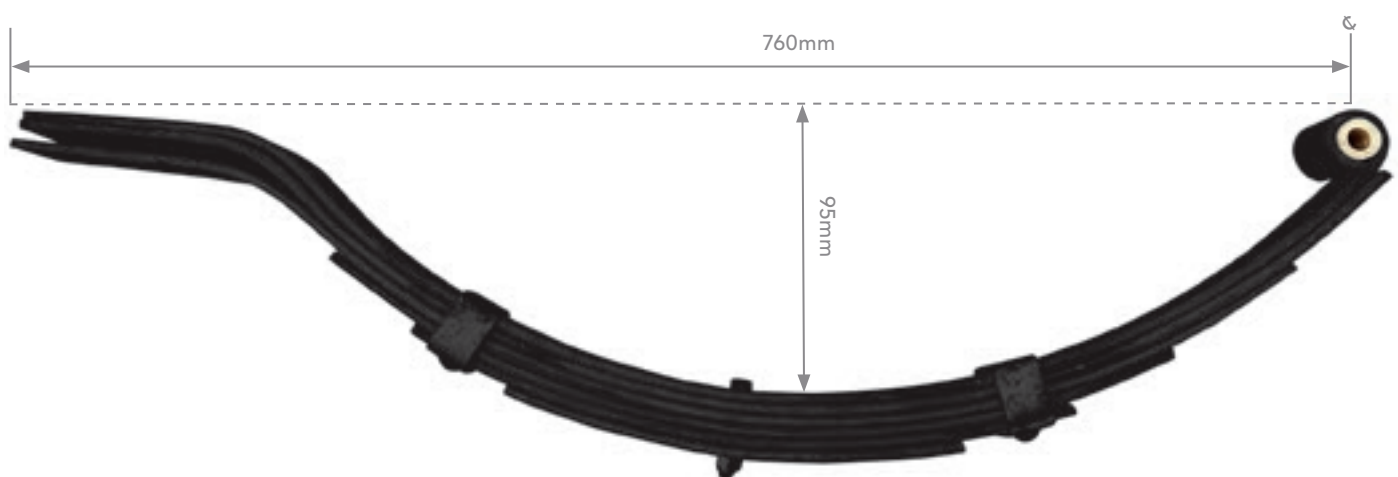
S3ES456ZTT 3 leaf – 600kg

S4ES456ZTT 4 leaf – 900kg

S5ES456ZTT 5 leaf – 1000kg

S6ES456ZTT 6 leaf – 1200kg

45mm x 6mm Eye Slipper Spring*



Black

S3ES456PT 3 leaf – 600kg

S4ES456PT 4 leaf – 900kg

S5ES456PT 5 leaf – 1000kg

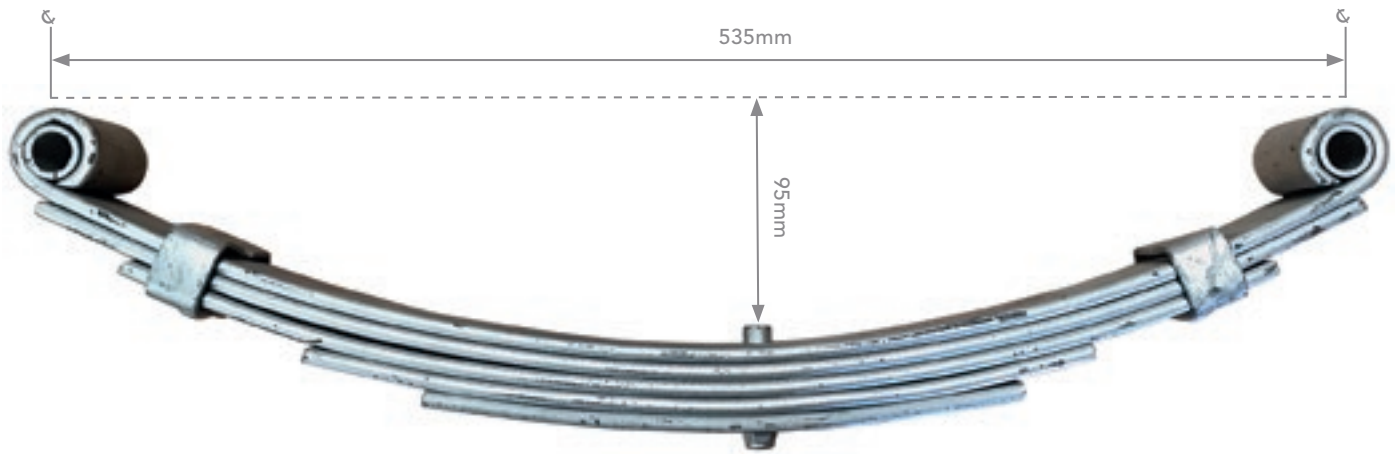
S6ES456PT 6 leaf – 1200kg



*** PLEASE NOTE:** For tandem use, a 20% reduction to weight rating is required for non load sharing springs. The above weight ratings are for single axle applications.

SPRINGS

50mm x 6mm Eye to Eye Tandem Spring~



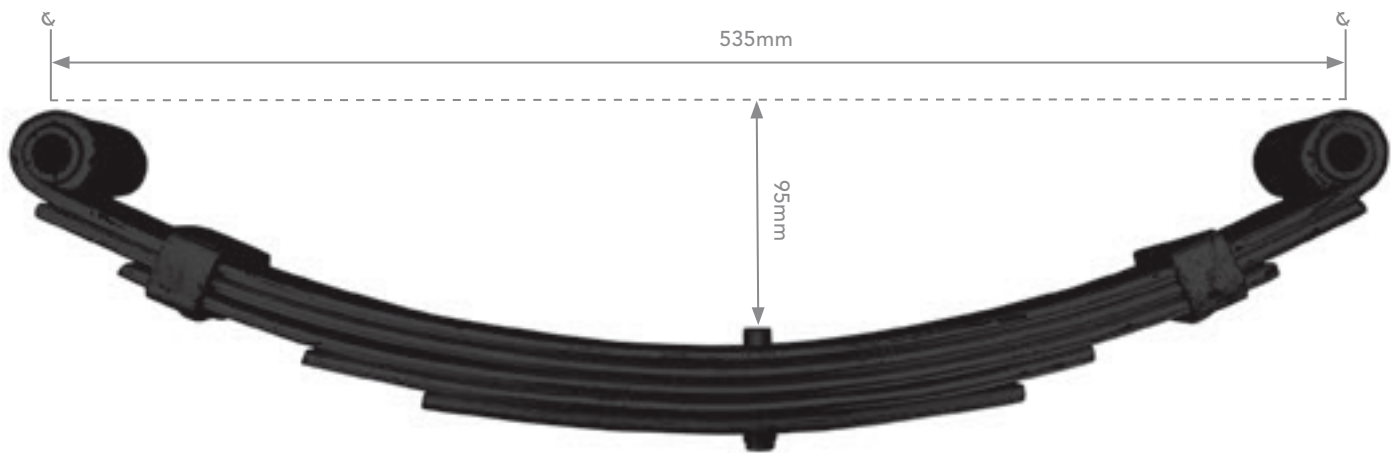
Zinc Tech

S3ES506TZT 3 leaf – 750kg

S4ES506TZT 4 leaf – 1000kg

S5ES506TZT 5 leaf – 1250kg

50mm x 6mm Eye to Eye Tandem Spring~



Black

S3ES506TB 3 leaf – 750kg

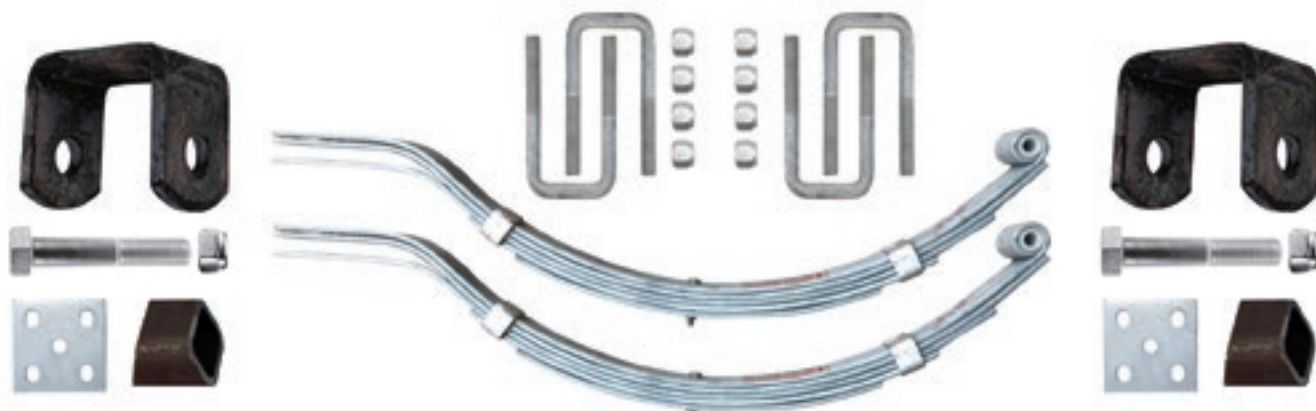
S4ES506TB 4 leaf – 1000kg

S5ES506TB 5 leaf – 1250kg



~ PLEASE NOTE: For any weights over 2000kg, 5/8-inch U-bolts are required.

45mm x 6mm Eye Slipper Spring Kit



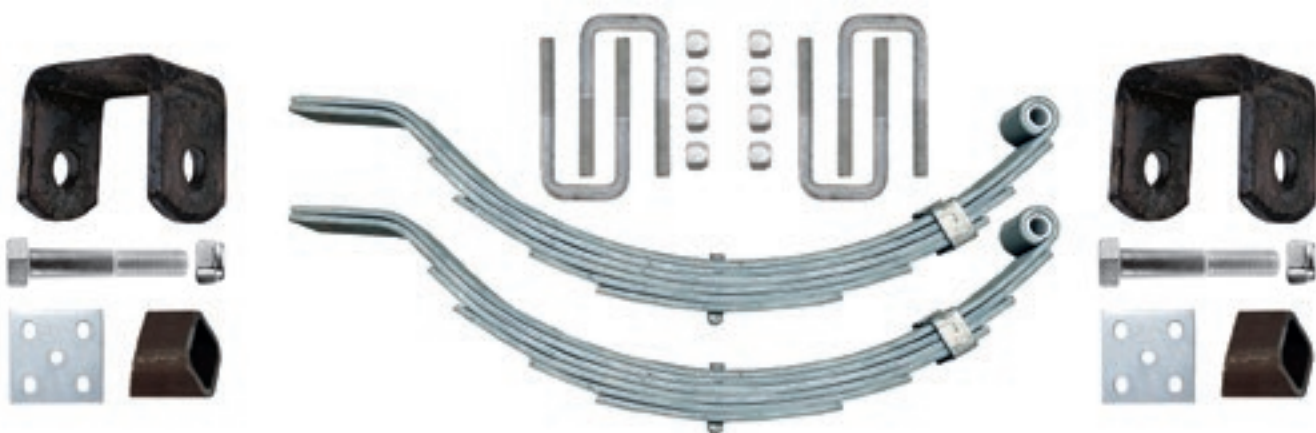
Zinc Tech

S4ES456ZTK	4 leaf springs
S5ES456ZT	5 leaf springs
S6ES456ZT	6 leaf springs
S7ES456ZT	7 leaf springs
S9ES456ZT	9 leaf springs

Kit contains

2 x Springs
2 x Hangers
2 x Slippers
2 x Fish Plates
4 x U Bolts – including nuts and washers
2 x Bolts

50mm x 6mm Eye Slipper Spring Kit



Zinc Tech

MTP-D2-ZTK	2 leaf springs
MTP-D3-ZTK	3 leaf springs
MTP-DV4-ZTK	4 leaf springs
MTP-DV5-ZKT	5 leaf springs
MTP-DV6-ZTK	6 leaf springs
MTP-HDDV5-ZTK	50mm x 8mm heavy duty 5 leaf springs

Dacromat

S3ES506DK	3 leaf springs
S4ES506DK	4 leaf springs
S5ES506DK	5 leaf springs
S6ES506DK	6 leaf springs

Black Painted

S3ES506BK	3 leaf springs
S4ES506BK	4 leaf springs
S5ES506BK	5 leaf springs
S6ES506BK	6 leaf springs

Kit contains

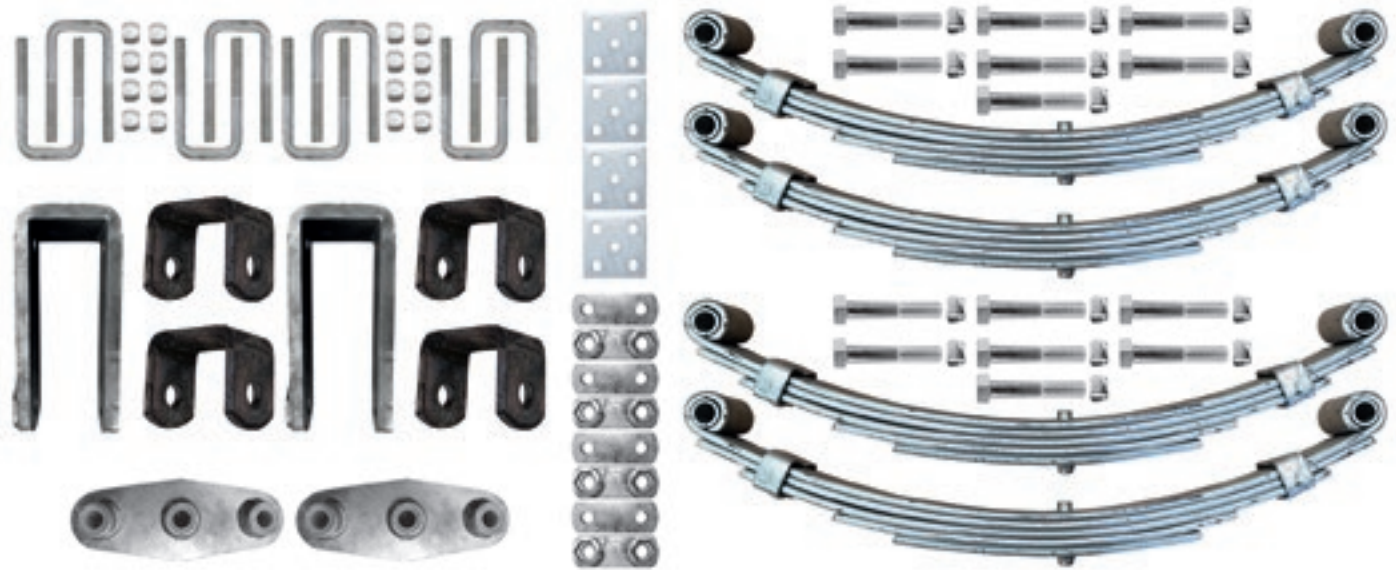
2 x Springs
2 x Hangers

2 x Slippers
2 x Fish Plates

4 x U Bolts – including nuts and washers
2 x Bolts

SPRINGS KITS

50mm x 7mm Eye to Eye Spring Kit



Painted

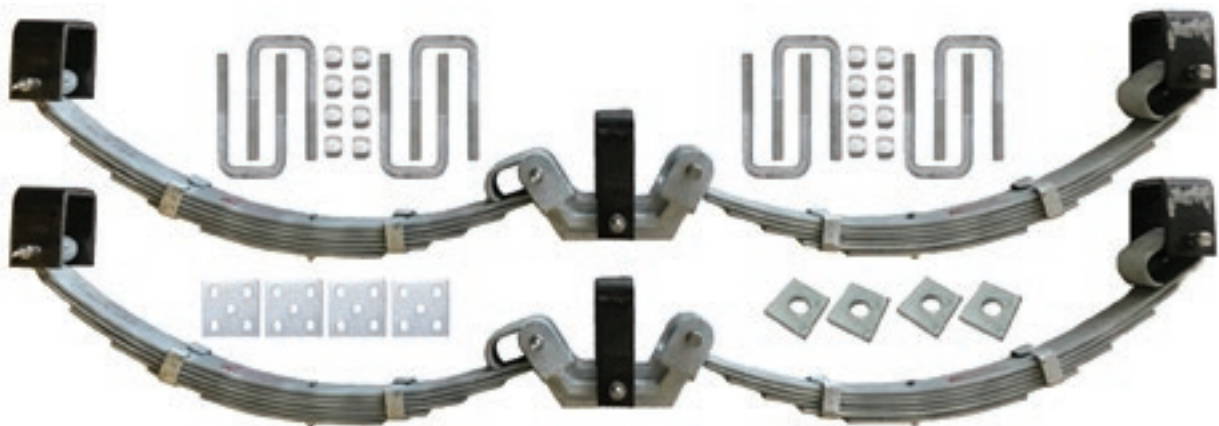
- S4EE507PK** 4 leaf springs
- S5EE507PK** 5 leaf springs
- S6EE507PK** 6 leaf springs

Kit contains

- 4 x Springs
- 4 x Hangers
- 2 x Centre Hangers
- 4 x Fish Plates

- 8 x U Bolts – including nuts and washers
- 1 x Bolt kit
- 2 x Rockers
- 8 x Linkplates

60mm x 8mm Eye to Eye Rocker Roller Spring Kit



Zinc Tech

- S6RRA607ZT** 6 leaf springs
- S7RRA607ZT** 7 leaf springs
- S8RRA607ZT** 8 leaf springs
- S9RRA607ZT** 9 leaf springs

Black

- S6RRA607B** 6 leaf springs
- S7RRA607B** 7 leaf springs
- S8RRA607B** 8 leaf springs
- S9RRA607B** 9 leaf springs

Kit contains

- 4 x Springs
- 4 x Hangers
- 2 x Centre Hangers
- 4 x Fish Plates
- 8 x U Bolts – including nuts and washers
- 1 x Bolt kit
- 2 x Rockers

Front Hangers



SAFHS4513
Front hanger suits 45mm
spring ½-inch hole



SAFHS6058
Front hanger suits 60mm
spring ⅝-inch hole



SAFRHR6058N
Front hanger suits 60mm
rocker spring ⅝-inch hole



SAFHS3512
Front hanger suits 35mm
spring, 12mm Hole



SAFHS5016
Front hanger suits 50mm
spring, 16mm Hole

Middle Hangers



SADFHS45
Middle hanger suits 45mm
spring ½-inch hole



SACHE60N
Middle hanger suits 60mm
spring ⅝-inch hole



SACHR45N
Middle hanger suits 47mm
rocker arm ¾-inch hole



SACHN50N
Middle hanger to suit 50mm
Spring – New Zealand

SPRING PARTS

Rear Hangers and Dumb Jacks



SARHS45

Rear hanger suits 45mm wide spring



SARHS50

Rear hanger suits 50mm wide spring



SARHS60

Rear hanger suits 60mm wide spring



SADJ45N

Dumb jack wide suits 45mm spring and 22mm outside diameter nylon bush



SARHOR60N

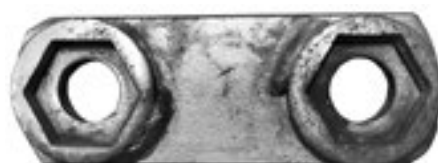
Dumb jack wide suits 60mm spring and 22mm outside diameter nylon bush

Shackle Plates



SPLWF

Shack plate link flat



SPLWH

Shackle plate link welded hex

Rocker Arms



SACRA45EG
Centre rocker arm
eye / shackle – galvanised



SACRA60EG
Centre rocker arm
eye / shackle – galvanised



SACRA60N
Centre rocker arm
eye / shackle – galvanised



SACRA60B – Black
SACRA60G – Galvanised
Centre rocker arm eye / eye

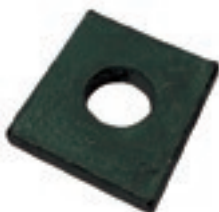


ROCKER
Tandem rocker



ROCKER BUSH
Bush to suit rocker

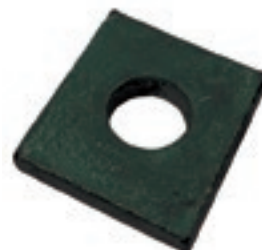
Spring Pads / Axle Saddles



AXSN
Spring pad suits
40mm x 40mm square
axle – black



AXSG
Spring pad suits
45mm x 40mm spring
– galvanised



AXS50G
Spring pad suits 50mm
tube axle

SPRING PARTS

Spring Bushes



SANB122245

½-inch x 7/8-inch x 1-¾-inch
(12.7mm x 22.2mm x 45mm)
nylon bush



SANB142245

9/16-inch x 7/8-inch x 1-¾-inch
(14.3mm x 22.2mm x 45mm)
nylon bush



SANB162245

5/8-inch x 7/8-inch x 1-¾-inch
(15.8mm x 22.2mm x 45mm)
nylon bush



SANB162260

5/8-inch x 7/8-inch x 2-¾-inch
(15.8mm x 22.2mm x 60mm)
nylon bush



SASB163360

5/8-inch x 7/8-inch x 2-¾-inch
(15.8mm x 22.2mm x 60mm)
steel bush

Shock Absorber



SVASB

Shock absorber to suit 6 leaf
rocker roller spring

Spring Bolts



SASB12312M0Z
 1/2-inch bolt suits 45mm
 spring 3 1/2-inch overall – zinc



SASB12312M0G
 1/2-inch bolt suits 45mm
 spring 3 1/2-inch overall
 – galvanised



SASB1490 – Non-greaseable
SAGB1490 – Greaseable
 3/8-inch (14.3mm) bolt suits 45mm and 50mm spring



SASB1690 – Non-greaseable
SAGB1690 – Greaseable
 5/8-inch (15.8mm) bolt suits 45mm and 50mm spring



SASB16100 – Non-greaseable
SAGB16100 – Greaseable
 5/8-inch (15.8mm) bolt suits 60mm spring



SASBSS16100 – Non-greaseable
SAGBSS16100 – Greaseable
 5/8-inch (15.8mm) bolt 304 stainless suits 60mm spring



SAGCB1985
 3/4-inch (19.0mm) 85mm
 bolt suits rocker roller arm

SAGCBSS1985
 3/4-inch (19.0mm) 85mm
 304 stainless bolt suits
 rocker roller arm



SAGCB19100
 3/4-inch (19.0mm) 100mm bolt
 suits rocker roller arm

SPRING ACCESSORIES

Suspension Mounts



SM12SLSN
12-inch Spring single suspension mount – left or right



SM13SLSN
13-inch Spring single suspension mount – left or right



SM13STAN
13-inch Torsion axle single suspension mount – left or right



PLEASE NOTE: Actual items may differ in style and colour to those pictured.

Suspension Mounts



SM13TTAN

13-inch Torsion axle tandem suspension mount – left or right



SM13TLSN

13-inch Spring axle tandem suspension mount – left or right

SPRING ACCESSORIES

Guard Frames



SM12LSG – Galvanised
12-inch Single suspension mount – left or right



SM13LSG – Galvanised
13-inch Single suspension mount – left or right



SM14TLSG – Galvanised
14-inch Tandem spring suspension mount – left or right



SM14TRSG – Galvanised
14-inch Tandem equalising suspension mount – left or right

Axle Accessories



SASP3225
Split pin



SANUT3/4
3/4-inch UNF axle nut



SANUT1x12
1-inch x 12 TPI UNF axle nut



SANUT1x14
1-inch x 14 TPI UNS axle nut (standard)



SAFWZ
Axle washer 3/4-inch



SAFWZ1
Axle washer 1-inch

AXLES

Up to 1500kg Stub Axle – Round



SALM39200M
39mm round, 200mm long



SALM39200
39mm round, 200mm long



SALM39250
39mm round, 250mm long



Up to 1500kg Stub Axle – Square



SALM40250
40mm square, 250mm long



SALM40305
40mm square, 305mm long



SALM45S250MN
40mm braked square, 250mm long



CUSTOM SPECIFICATIONS

Meher can now manufacture axle beams to customer specifications. See order form on pages 52-53 to fill in and provide us with your specifics and we will build for you.

Up to 1750kg Stub Axle – Round and Square



SASL45215
45mm round, 215mm long



SASL45250
45mm round, 250mm long



SASL45305
45mm round, 305mm long



SASL45S250MN
45mm braked square, 250mm long

Up to 2000kg Stub Axle – Square



SALC50300
50mm square, 300mm long



CUSTOM SPECIFICATIONS

Meher can now manufacture axle beams to customer specifications. See order form on pages 52-53 to fill in and provide us with your specifics and we will build for you.



CUSTOM AXLE KIT SPECIFICATION SHEET

Meher now manufacture braked and non-braked axles to customer specifications. Use the information below as a guide, then fill out the order form opposite with your specifications and we will manufacture and build your kits.

Axles



What type of axle is need?



Straight



Overlay

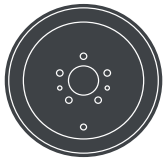


Drop



Gullwing

Brakes



What types of brakes are needed?

None

Lazy

Hydraulic Disc

Mechanical Disc

Hydraulic Drum

Mechanical Drum

Electrical Drum

Stud patterns



4 x 3.93-inch (100mm) – 7/16-inch Wheel Nuts

4 x 4-inch (101.6mm) – 7/16-inch Wheel Nuts

5 x 4.25-inch (107.95mm) – 7/16-inch Wheel Nuts

5 x 4.5-inch (114.3mm) – 1/2-inch Wheel Nuts

5 x 4.72-inch (120mm) – 7/16-inch Wheel Nuts

5 x 4.75-inch (120.6mm) – 1/2-inch Wheel Nuts

6 x 5.5-inch (139.7mm) – 7/16-inch Wheel Nuts

Capacity

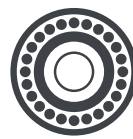


What is the total weight rating?

Up to 1500kg

Up to 1750kg

Bearings



What types of bearings are needed?

Premium Chinese

Premium Japanese



*** PLEASE NOTE:** If this is a new installation, you will be required to fill out an Axle Worksheet. There are extra clearances needed to fit, in some cases your customer may require wider mudguards and an axle extension.

CUSTOM AXLE KIT ORDER FORM

Axles What type of axle is need? (Indicate which type of axle or axles are required by writing the quantity in space provided).

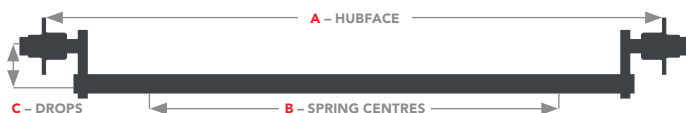
Straight



Overlay



Drop



Gullwing



Specifications

A Overall Hubface Measurement: _____

B Spring Centre Measurement: _____

C Drop Measurement:

 100mm

 Other: _____

D Gullwing Drop:

 100mm

 Other: _____

E Gullwing Width:

 1250mm

 1500mm

 Other: _____

Chassis Width: (outside to outside in mm) _____

Finish

 Duragalv

 Galvanised

 Bore Steel

Axle Weight:

 1500kg

 1700kg

 2000kg

Box Section Size:

 50x50mm

 65x65mm

 Other

Location of Axle:

 Under spring (closer to road)

 Over spring (closer to chassis)

Assembled:

 Yes

 No

Hub Type:

 Unbraked

 Disc Brake

 Hydraulic Brake

 Electric Drum

Stud Pattern: _____

Customer Details

Company: _____

Date: _____

Ordered by: _____

Order Number: _____

Address: _____

Phone: _____

Fax: _____

Email: _____

Freight Method

Freight: _____

Pick up: _____

Account Number: _____

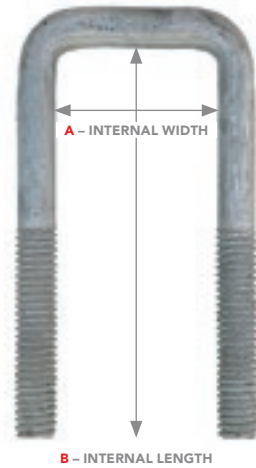
Charge freight: _____

Meher Trailer Products NZ Ltd

81A Killarney Lane, Frankton, Hamilton 3204, New Zealand

All orders or enquiries: Phone: +64 7 847 4857 Email: nzsales@themehergroup.co.nz

U-BOLTS



M10 U-BOLTS**

	A INTERNAL WIDTH	B INTERNAL LENGTH		A INTERNAL WIDTH	B INTERNAL LENGTH		A INTERNAL WIDTH	B INTERNAL LENGTH
UB102770	27mm	70mm	UB1043100	43mm	100mm	UB106665	66mm	65mm
UB1027100	27mm	100mm	UB1043112	43mm	112mm	UB106685	66mm	85mm
UB104338	43mm	38mm	UB1043125	43mm	125mm	UB107670	76mm	70mm
UB104345	43mm	45mm	UB105575	55mm	75mm	UB107695	76mm	95mm
UB104365	43mm	65mm	UB105595	55mm	95mm	UB108055	80mm	55mm
UB104375	43mm	75mm	UB1055125	55mm	125mm	UB109370	93mm	70mm
UB104385	43mm	85mm	UB106660	66mm	60mm	UB1097100	93mm	100mm

M12 U-BOLTS*

	A INTERNAL WIDTH	B INTERNAL LENGTH		A INTERNAL WIDTH	B INTERNAL LENGTH		A INTERNAL WIDTH	B INTERNAL LENGTH
UB123580	35mm	80mm	UB1251225	51mm	225mm	UB127655	76mm	55mm
U125175	51mm	75mm	UB1255108	55mm	108mm	UB1280105	80mm	105mm
UB1243100	43mm	100mm	UB1255135	55mm	135mm	UB1280120	80mm	120mm
UB124365	43mm	65mm	UB1255160	55mm	160mm	UB1280130	80mm	130mm
UB125150	51mm	50mm	UB1260150	60mm	150mm	UB1280160	80mm	160mm
UB125160	51mm	60mm	UB1263115	63mm	115mm	UB128080	80mm	80mm
UB125082	51mm	82mm	UB1263125	63mm	125mm	UB1280890	80mm	90mm
UB125185	51mm	85mm	UB1268100	68mm	100mm	UB1285110	85mm	110mm
UB1251100	51mm	100mm	UB1268110	68mm	110mm	UB1285135	85mm	135mm
UB1251110	51mm	110mm	UB1268135	68mm	135mm	UB1293110	93mm	110mm



*** CUSTOM DESIGN:** Meher can now manufacture U-Bolts to customer specifications. If you have a unique size, please contact us and we will make for you.



M12 U-BOLTS – Continued*

	A INTERNAL WIDTH	B INTERNAL LENGTH		A INTERNAL WIDTH	B INTERNAL LENGTH		A INTERNAL WIDTH	B INTERNAL LENGTH
UB1250125	51mm	125mm	UB1268145	68mm	145mm	UB12100100	100mm	100mm
UB1251132	51mm	132mm	UB1268170	68mm	170mm	UB12103100	103mm	100mm
UB1250135	51mm	135mm	UB126858	68mm	58mm	UB12103130	103mm	130mm
UB1250140	51mm	140mm	UB126870	68mm	70mm	UB12103155	103mm	155mm
UB1250145	51mm	145mm	UB126890	68mm	90mm	UB12103160	103mm	160mm
UB1251168	51mm	168mm	UB1275100	75mm	100mm	UB1210380	103mm	80mm
UB1251180	51mm	180mm	UB1276115	76mm	115mm	UB1215090	150mm	90mm

½-inch U-BOLTS BSW Thread Square – Galvanised*

UB12100110SGW	½-inch x 100mm x 110mm	UB125080SGW	½-inch x 50mm x 80mm
UB12100130SGW	½-inch x 100mm x 130mm	UB1275110SGW	½-inch x 75mm x 110mm
UB1250110SGW	½-inch x 50mm x 110mm		



*** CUSTOM DESIGN:** Meher can now manufacture U-Bolts to customer specifications. If you have a unique size, please contact us and we will make for you.

FISH PLATES



Suits 45mm Spring – Normal Hole*

SAFP455010N

Standard to suit 45mm spring, 50mm axle 6mm thick.
To suit 10mm U-bolt – natural

Suits 50mm Spring – Normal Hole*

SAFP504010G

Standard to suit 50mm spring, 40mm axle 6mm thick.
To suit 10mm U-bolt – galvanised

SAFP505012N

Standard to suit 50mm spring, 50mm axle 6mm thick.
To suit 12mm U-bolt – natural

SAFP505012G

Standard to suit 50mm spring, 50mm axle 6mm thick.
To suit 12mm U-bolt – galvanised

U Bolt Plate / Suspension Plates*



V006312

U-bolt plate

V006313

U-bolt plate



*** CUSTOM DESIGN:** Meher can now manufacture Fish Plates to customer specifications.
If you have a unique size, please contact us and we will make for you.

Steel Mudguards



MGP984TP4-1.6N
9-inch x 84-inch tandem mudguard plain 1.6mm

MGP991TP4-1.6N
9-inch x 91-inch tandem mudguard plain 1.6mm

MGP10P4-1.6N
10-inch Mudguard single steel plain 1.6mm

MGP1084TP4-1.6N
10-inch x 84-inch tandem mudguard plain 1.6mm



MGP1091TP4-1.6N
10-inch x 91-inch tandem mudguard plain 1.6mm

MG1196TP4-2N
11-inch x 96-inch tandem mudguard plain 2mm natural

MGP12P4-2N
12-inch Mudguard single steel plain 2mm

MG1296TP4-2N
12-inch x 96-inch tandem mudguard plain 2mm natural

Plastic Mudguards – 13-inch and 14-inch



MGP13G
13-inch grey plastic mudguard

MGP14G
14-inch grey plastic mudguard



MGP13B
13-inch black plastic mudguard

MGP14B
14-inch black plastic mudguard



MGP13W
13-inch white plastic mudguard

MGP14W
14-inch white plastic mudguard

Steel Mudguard



BENT GUARD
Steel bent mudguards

Custom Mudguard°



° **CUSTOM DESIGN:** Meher can manufacture any shape and design mudguard. If you have a unique size or shape, please contact us and we can make for you.

MUDFLAPS

Black*



MUDFLAPLNZB
Large



MUDFLAPSNZB
Small

White*



MUDFLAPLNZW
Large



MUDFLAPSNZW
Small

Grey*



MFAG
Mudguard flap



* CUSTOM DESIGN

Meher can add your company logo into or onto mudflaps. Please contact with your requirements and we can create for you.



13-inch

W13HTAG	13-inch 5-inch x 4.25-inch – galvanised c/w 155R13C tyre
W13HTAGW	13-inch 5-inch x 4.25-inch – galvanised and white powder coated c/w 155R13C tyre
W13FAG	13-inch 5-inch x 4.5-inch – galvanised c/w 155R13C tyre
W13FAGW	13-inch 5-inch x 4.5-inch – galvanised and white powder coated c/w 155R13C tyre
WA1350HTS165R13C	13-inch 5-inch x 4.25-inch – silver alloy c/w 165R13C tyre
WA1350HTBM165R13C	13-inch 5-inch x 4.25-inch – black alloy c/w 165R13C tyre

14-inch

W14HTAG	14-inch 5-inch x 4.25-inch – galvanised c/w 185R14C tyre
W14HTAGW	14-inch 5-inch x 4.25-inch – galvanised and white powder coated c/w 185R14C tyre
W14FAG	14-inch 5-inch x 4.5-inch – galvanised c/w 185R14C tyre
W14FAGW	14-inch 5-inch x 4.5-inch – galvanised and white powder coated c/w 185R14C tyre
WA1460HTS185R14C	14-inch 5-inch x 4.25-inch – silver alloy c/w 185R14C tyre
WA1460HTBM185R14C	14-inch 5-inch x 4.25-inch – black alloy c/w 185R14C tyre

7 Pin Plug and Socket Wiring Specifications



1	Left Hand Turn Signal	Yellow
2	Reversing Signal	Black
3	Earth or Ground	White
4	Right Hand Turn Signal	Green
5	Service Brakes	Blue
6	Stop Lamps	Red
7	Rear, Clearance & Side Marker Lamps	Brown



EAP7FNP
7 pin plastic flat plug with nut



EAS7FNP
7 pin plastic flat socket with nut



EAP7FNPH
7 pin plastic flat plug holder



EAP7RLA
7 pin plug round large aluminium



EAP7RLP
7 pin plastic trailer plug, N type with screws on the body



EAS7RLA
7 pin aluminium trailer socket round style



EAS7RLFA
7 pin aluminium trailer socket side flat sides



EAS7RLFP
7 pin plastic trailer socket, N type side flat style



EAS7RLP
7 pin plastic trailer socket, N type round style



EAS7RLWP
7 pin plastic trailer socket with rubber ring for waterproof

Wiring, Cables and Pin Accessories



EA5CC10m
5 core cable, cut to length



EA7CC10m
7 core cable, cut to length



EAA7FP7RLSP
Adapter 7 pin flat plug with 7 pin round large socket



EAA7RLP7FSP
Adapter 7 pin round large plug with 7 pin flat socket



BOXTRLEDS
Led light combination, 12 volt eco



LIGHTBRACKET
LED light bracket, custom to size

ACCESSORIES

Safety Chains



CPL8LN

8mm 1600kg trailer safety chain tested and stamped per metre – natural

CPL8LG

8mm 1600kg trailer safety chain tested and stamped per metre – galvanised

CPL8-23LGAL

8mm 1600kg trailer safety chain tested and stamped 23 long links – galvanised



CPL10LN

10mm 2500kg trailer safety chain tested and stamped per metre – natural

CPL10LG

10mm 2500kg trailer safety chain tested and stamped per metre – galvanised

CPL13LN

13mm 3500kg trailer safety chain tested and stamped per metre – natural

CPL13LG

13mm 3500kg trailer safety chain tested and stamped per metre – galvanised

Bow and Dee Shackles



UNRATED – Galvanised

DS8G

8mm dee shackle 10mm pin

DS10G

10mm dee shackle 11mm pin

DS12G

12mm dee shackle 16mm pin



RATED – Galvanised

BS8x10YPG

8mm bow shackle 10mm yellow pin

BS10x11YPG

10mm bow shackle 11mm yellow pin

BS11x13YPG

11mm bow shackle 13mm yellow pin

BS13x16YPG

13mm bow shackle 16mm yellow pin

DS8x10YPG

8mm dee shackle 10mm yellow pin

DS10x11YPG

10mm dee shackle 11mm yellow pin

DS11x13YPG

11mm dee shackle 13mm yellow pin

DS13x16YPG

13mm dee shackle 16mm yellow pin



RATED CAPTIVE D SHACKLE

DS10x11YGP-CAP

10mm captive dee shackle – rated



GRONYLM8

M8 nylon grommet anti-loss from shackle to chain

Locks, Latches and Compliance Plates



BOXARCWZ
Ani-rattle lock weld on



BOXARCTZ
Anti-rattle lock bolt on



BOXSLCZ
Spring bolt



BOXHTLN
Tail gate latch – left hand



BOXHTRN
Tail gate latch – right hand

Gas Bottle, Jerry Can, Drawer Slides, Caravan Stay Handle and Spare Wheel Carriers



CVAGB9G
Gas bottle holder 9kg
– galvanised



JERRYCHG
Jerry can holder suits boat
trailers – galvanised



BBQSLIDES
Drawer slide, 45mm x 12.7mm x 600mm



CPTWHLG
Caravan stay handle



LASHRG
Lashing ring 04400



SPWCFCG
Spare wheel carrier – suits Ford

SPWCHTSG
Spare wheel carrier small, suits HT – galvanised

SPWCHTLG
Spare wheel carrier large, suits HT – galvanised

BOAT ROLLERS AND SKIDS

Rubber Rollers to suit Fibreglass and Plastic Boats



BRB1475
3-inch bow roller assembly
– black rubber



BRB14100
4-inch bow roller assembly
– black rubber



PRR16100C
4-inch bow roller, 16mm hole
– black rubber



PRR16115C
4.5-inch bow roller, 16mm hole
– black rubber



PRR20150C
6-inch keel roller, 20mm hole
– black rubber



PRR16150S
6-inch Sydney roller, 16mm hole
– black rubber



PRR20200C
8-inch keel roller, 20mm hole
– black rubber



PRR25300D
12-inch dog bone roller,
25mm hole – black rubber

Soft Polly Rollers to suit Fibreglass and Plastic Boats



BRG1475
3-inch bow roller
assembly – golden



BRG14100
4-inch bow roller
assembly – golden



VBG16100
4-inch bow wedge,
16mm hole – golden



VBG20120
120mm bow wedge,
20mm hole – golden



PRG20150C
6-inch keel roller,
20mm hole – golden



PRG16150S
6-inch Sydney roller,
17mm hole – golden



PRG20200C
8-inch keel roller,
20mm hole – golden



PRG25300D
12-inch dog bone roller,
25mm hole – golden

BOAT ROLLERS AND SKIDS

Hard Polly Rollers to suit Aluminium Boats



PRH16115C
4.5-inch cotton roller,
16mm hole – blue hard plastic



PRH16150S
6-inch Sydney roller,
16mm hole – blue hard plastic



PRH20150C
6-inch cotton roller,
20mm hole – blue hard plastic



PRH20200C
8-inch cotton roller,
20mm hole – blue hard plastic



PRH20200S
8-inch Sydney roller,
20mm hole – blue hard plastic



PRH300
Blue skid 300mm long



WRB
Blue wobble roller,
22mm hole



WRG
Grey wobble roller,
22mm hole



BLUESKID15
Blue plastic skid. Bunk 1.5m



BLUESKID18
Blue plastic skid. Bunk 1.8m



VB100R
V-Block, 100mm



VB75150NZ
V-Block, 75mm



WRBK
Black/white wobble roller,
26mm hole



WOB130BB
Black/black wobble roller,
26mm hole



ROL150B
6-inch keel roller – black



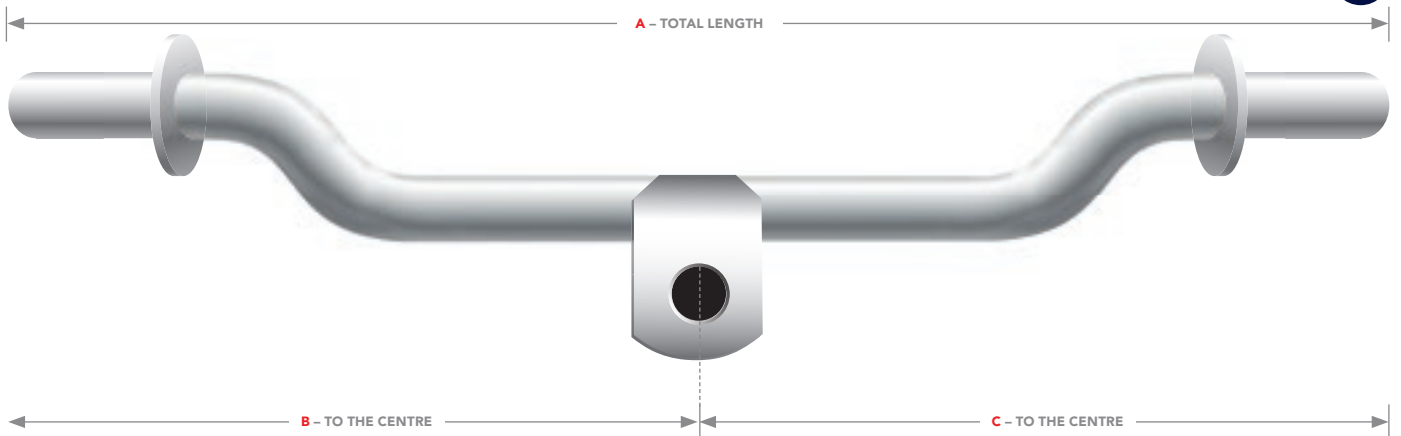
ROL200B
8-inch keel roller – black



ROL280B
280mm/11-inch keel roller – black

ROLLER ACCESSORIES

Wobble Axles



MTP450WG450

540mm x 270mm x 270mm – galvanised

MTP510WG510

660mm x 330mm x 330mm – galvanised

MTP522WLG522

Left – 532mm x 227mm x 305mm – galvanised

MTP522WRG522

Right – 532mm x 305mm x 227mm – galvanised

MTP565WLG565

Left – 490mm x 170mm x 320mm – galvanised

MTP565WRG565

Right – 490mm x 320mm x 170mm – galvanised

Wobble Arms

		A	B	C			A	B	C
WA460155L	Left	460mm	155mm	305mm	WA532227L	Left	532mm	227mm	305mm
WA460305R	Right	460mm	305mm	155mm	WA532305R	Right	532mm	305mm	227mm
WA490170L	Left	490mm	170mm	320mm	WA540270		540mm	270mm	270mm
WA490320R	Right	490mm	320mm	170mm	WA555325L	Left	555mm	325mm	230mm
WA520325L	Left	520mm	325mm	195mm	WA5553230R	Right	555mm	230mm	325mm
WA520195R	Right	520mm	195mm	325mm	WA590280L	Left	590mm	280mm	310mm
WA525280L	Left	525mm	280mm	245mm	WA590310R	Right	590mm	310mm	280mm
WA525245R	Right	525mm	245mm	280mm	WA625290L	Left	625mm	290mm	335mm
WA52527540L	Left – high	525mm	275mm	250mm	WA625335R	Right	625mm	335mm	290mm
WA52525040R	Right – high	525mm	250mm	275mm	WA660330		660mm	330mm	330mm

Rockers

V006195521

Left and Right – 525mm x 280mm x 245mm

V006196521

40 push – 525mm x 275mm x 250mm

V006197525

Left and Right – 520mm x 325mm x 195mm

V006198605

555mm x 325mm x 230mm

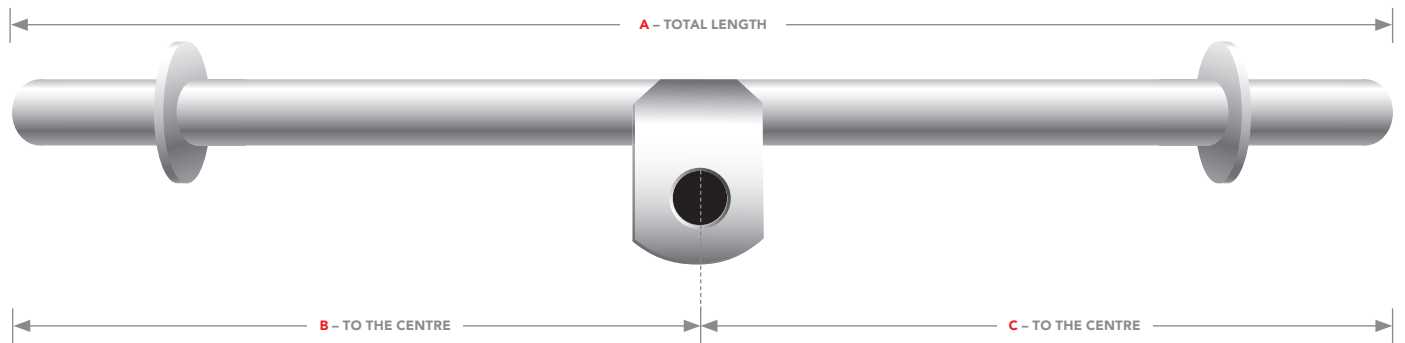
V006199A17

Left and Right – 590mm x 310mm x 280mm

V006201A18

Left and Right – 625mm x 335mm x 290mm

Wobble Arms – Straight



MTP450WSG450

Straight – 540mm x 270mm x 270mm
– galvanised

MTP490WLG490

Left – 365mm x 145mm x 220mm
– galvanised

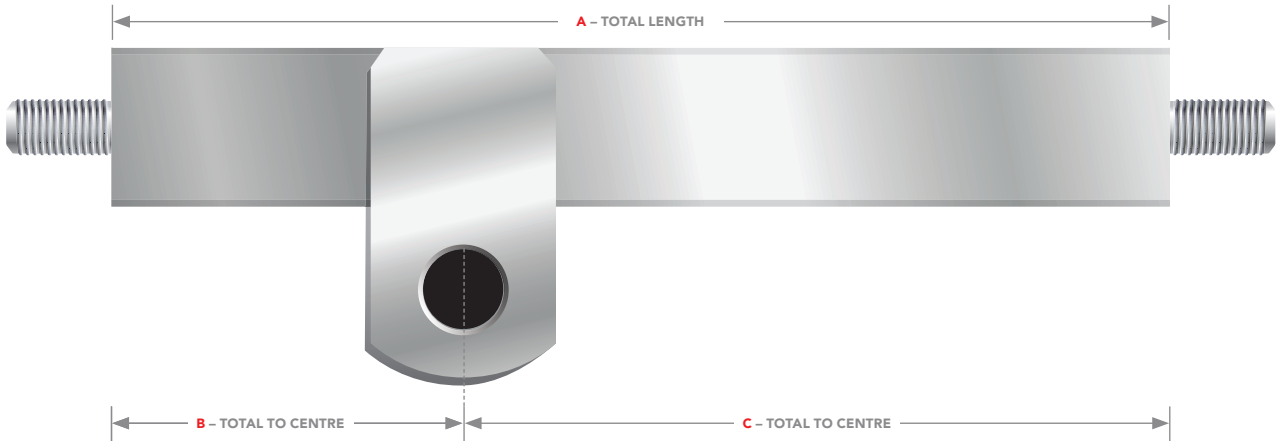
MTP490WRG490

Right – 365mm x 220mm x 145mm
– galvanised

		A	B	C			A	B	C
WAS365145L	Left	365mm	145mm	220mm	WAS440200L	Left	440mm	200mm	240mm
WAS365220R	Right	365mm	220mm	145mm	WAS440240R	Right	440mm	240mm	200mm
WAS400165L	Left	400mm	165mm	235mm	WAS540270		540mm	270mm	270mm
WAS400235R	Right	400mm	235mm	165mm					

ROLLER ACCESSORIES

Tube Arms



TA360110OG

Tube arm 360mm, 110mm Offset – galvanised



MTPHDC360RG

Heavy duty carrier – galvanised
A = 434mm B = 135mm C = 360mm



MTPHDC360LG

Heavy duty carrier – galvanised
A = 434mm B = 360mm C = 135mm



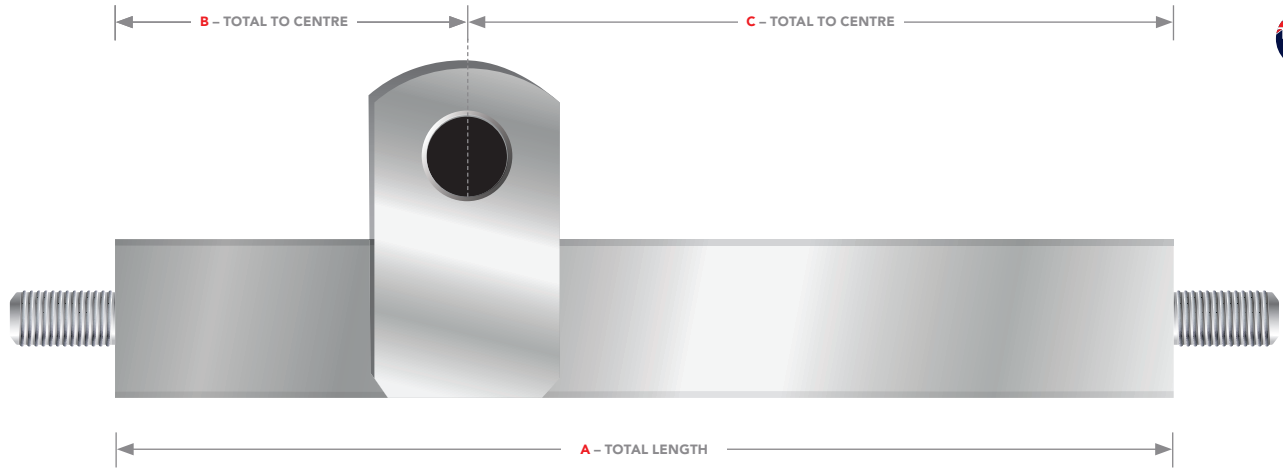
V006234R

Heavy duty carrier – right
A = 504mm B = 185mm C = 430mm



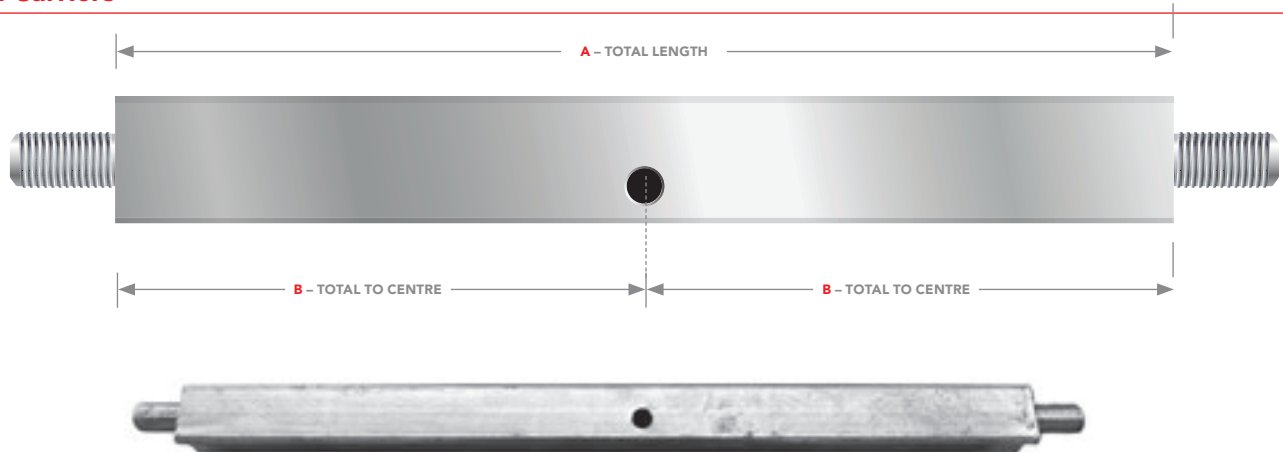
V006234L

Heavy duty carrier – left
A = 504mm B = 430mm C = 185mm



		A	B	C		A	B	C	
TA360DL	Left	360mm	110mm	250mm	TA400VL	Left	400mm	185mm	215mm
TA360DR	Right	360mm	250mm	110mm	TA400VR	Right	400mm	215mm	185mm
TA345VL	Left	345mm	115mm	245mm	TA430VL	Left	430mm	185mm	245mm
TA345VR	Right	345mm	245mm	115mm	TA430VR	Right	430mm	245mm	185mm
TA360VL	Left	360mm	115mm	245mm	TA535SL	Left	535mm	215mm	320mm
TA360VR	Right	360mm	245mm	115mm	TA535SR	Right	535mm	320mm	215mm

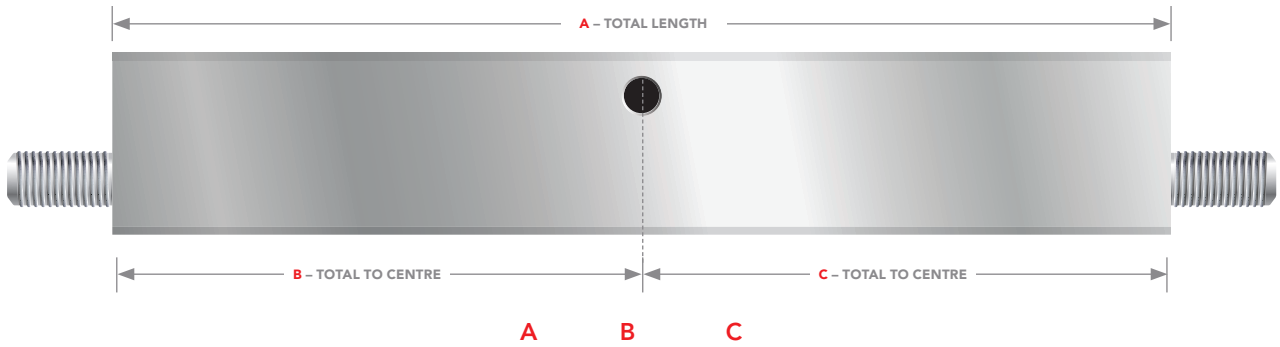
Arm Carriers



	A	B	C
AC550	550mm	250mm	300mm
AC500	500mm	230mm	270mm
AC600	600mm	273mm	327mm

ROLLER ACCESSORIES

Heavy Duty Arm Carriers



HDAC6006535

Heavy duty arm carrier – 65mm x 35mm

600mm 278mm 322mm

HDAC6007540

Heavy duty arm carrier – 75mm x 40mm

600mm 274mm 326mm

Other Accessories



QAA200

200mm quad adjuster arm



SRA250

250mm single rocker adjuster



CB653660

Carrier bracket – galvanised
65mm x 35mm x 60mm x 6mm



CB50

50mm, carrier bracket – galvanised
65mm x 35mm x 60mm x 6mm

Other Accessories



WA180DW
Wobble arm 180 – double wobble



TWCA
Tri-wobble carrier arm

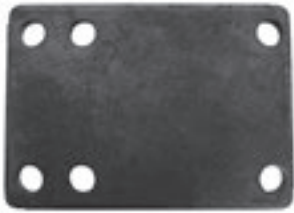


DKRS150
Double keel roller support 150mm

DKRS200
Double keel roller support 200mm

ROLLER ACCESSORIES

Plates



RMP6H
Roller mounting plate
– 6 hole



RMFP120
Flate plate, 120mm



RMFB105
Front brace, 105mm



RM6022
60mm roller mount,
22mm hole

Brackets



KRB90N
Keel roller bracket – 90mm



KRB100N
Keel roller bracket, 100mm



KRB618N
Keel roller bracket to suit
6-inch roller (150mm)
– 18mm Hole



MB6535N
Mounting bracket to suit
65mm x 35mm
– right hand side



RABRB75N
6-inch roller bracket



RABRB100N
8-inch roller bracket



V006102
Lower roller lug



V006103
Higher roller lug



V006104
Lower roller lug



U4413B
U Bracket, 41mm x 13mm



CPM106442G
Clamp plate M10mm x 65mm x 42mm – galvanised

Pins*



RRSS18016

304 roller pin 180mm x 16mm – stainless steel

RPSS24019

304 roller pin 240mm x 19mm – stainless steel



*** CUSTOM DESIGN:** Meher can now manufacture Pins to your specifications.
If you have a unique size, please contact us and we will make for you.

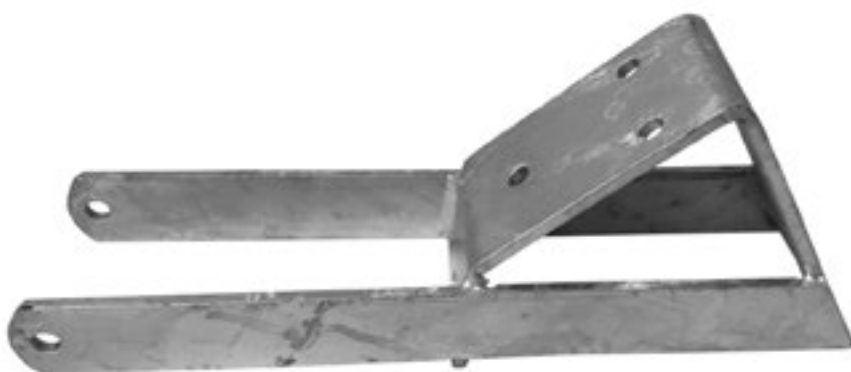
BOAT TRAILER ACCESSORIES



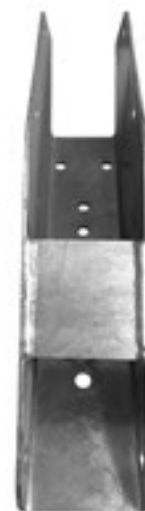
BMRS
Boomerang Small



BMRM
Boomerang Medium



WMS75
Winchmount



WMF75
Winchmount



WMF1-75
Winchmount



WP500
Winchpost, 500mm

PLATES – MULTI USE

Coupling Plates*



CPNBN
Coupling plate for non-braked couplings



CPMBN
Coupling plate for multi and non-braked couplings



CPCSW
Coupling plate chain spacer washer



*** CUSTOM DESIGN:** Meher can now manufacture Plates to customer specifications. If you have a unique size, please contact us and we will make for you.

Winch Posts



WPP2004N
Winch post plate, 200mm, 4 hole – natural



WPP3804N
Winch post plate, 380mm, 4 hole – natural



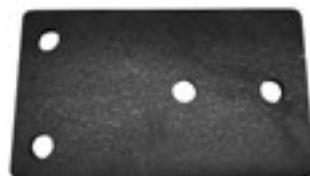
WPP4004N
Winch post plate, 400mm, 4 hole – natural



WPP4006N
Winch post plate, 400mm, 6 hole – natural



WPP4304N
Winch post plate, 430mm, 4 hole – natural



WPP135N
Winch post plate
80mm x 6mm x 135mm

Suspension Mounts



SMTAPWN

Suspension mount torsion axle plate – weldable

Various



A sample of the various plates we manufacturer, Please Ask for more details.



BOX TRAILER ACCESSORIES

Tailgates and Hardware



BTHTGM
Weld-on mount
for tailgates



BTHTGS
Springs for tailgates



HANDLELG
Box trailer handles



SHEET TAILGATE
Sheet bent tailgates



ALUSTTAILGATE
Aluminium and steel mixed tailgate



LIGHTBOARD
Sheet bent light panels

Side Panels



SIDE PANELS
Sheet bent side panels

Hinges



HINGE161690N

Welded hinge assembly, 16mm x 90mm



HINGE1616125HN

Welded hinge assembly, 16mm x 125mm



HINGE1619100N

Welded hinge assembly, 19mm x 100mm



HINGE1619120HN

Welded hinge assembly, 19mm x 120mm

BOX TRAILER ACCESSORIES

Hinge Pins



HINGEPIN100N

Hinge pin 10mm diameter, 10mm offset, 100mm long



HINGEPIN120HN

Hinge Pin 10mm diameter, 10mm offset, 120mm long – with hole



HINGEPIN120HWN

Hinge pin 10mm diameter, 10mm offset, 120mm long – with hole and washer



HDHINGEPIN19130N

Heavy duty hinge pin 19mm diameter, 130mm long



HDHINGEPIN19140HN

Heavy duty hinge pin – stockcrate 140mm



HDHINGEPIN19180HN

Heavy duty hinge pin – stockcrate 180mm

Hinge Straps



HINGESTRAP5123080
5mm thick, 12mm hole, 30mm wide, 80mm length



HINGESTRAP5183090
5mm thick, 18mm hole, 30mm wide, 90mm length

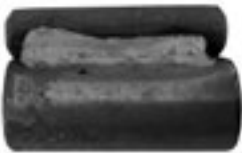


HINGESTRAP51230155
5mm thick, 12mm hole, 30mm wide, 155mm length



HINGESTRAP51640155
5mm thick, 16mm hole, 40mm wide, 155mm length

Hinge Straps Accessories



HINGESOCKET
Welded hinge socket



HINGETAB
Lug stock crate pin, 19mm



HINGETABHD
Lug 5mm stock crate pin,
19mm

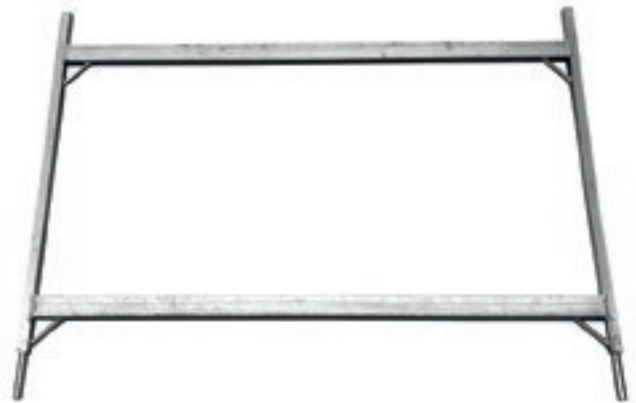
BOX TRAILER ACCESSORIES

Builders Racks



BRSINGLE

Builders rack - single



BRDOUBLE

Builders rack - double

Plates



BPVS

Bent Plate – various sizes

A-Frame Accessories



TIPACATCH

Tipper A-frame catch



3WWB

Springs for tailgates



PIN240Z

Pin 25mm x 240mm



PIN600Z

Pin 25mm x 600mm

Cages and Fences*



SQUARE CAGE

Cages / fence made from RHS material



ROUNDPIPE

Cages / fence made from round tube



*** PLEASE NOTE:** Actual items may differ in style and colour to those pictured.

Lock Pins



LOCKPIN10WC
Locking pin, 10mm
– with chain



LOCKPIN16N
Locking pin, 16mm
– natural



LOCKPIN19WC
Locking pin, 19mm
– with chain



LOCKPIN19N
Locking pin, 19mm
– natural

RAW MATERIALS



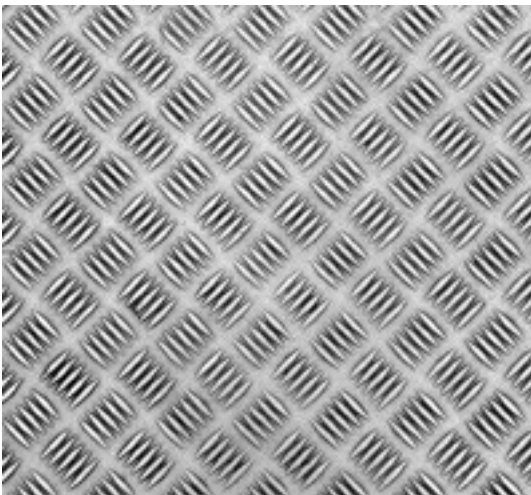
PLYWOOD

Marine grade plywood for trailers



DECKSCRMURO

Muro deck screws for plywood



TREADPLATE

Aluminium treadplate – 5 bar diamond finish

Shop

If you need help choosing the correct product, please call us and one of our friendly customer service representatives will help you.

Once you have chosen your items, please fill out the form on the next sheet, and email, fax or phone it through.

Ordering

Phone: +64 7 847 4857

Email: nzsales@themehergroup.co.nz

We will advise any shortages and costs of freight (*if applicable*).

Backorders will not be charged for until they arrive, and will be sent out free into store.

Custom or non-stocked items will need to be pre-paid (*unless otherwise agreed*).

Payment Methods and Faster Processing

Cash

Account

Bank Deposit

In all instances, we will attempt to ship your order the same business day as the receipt of your funds. Some banks can transfer instantly, others can take up to 3 days depending on your financial institution.

If you are urgently requiring parts, deposit directly at any ANZ branch and the funds should go in straight away. The same applies if you bank with them and complete a phone or internet transfer.

The quote will have our banking details at the bottom of the page. Please use the invoice number as a banking reference and call us once this is done. This is so we can start packing your shipment, ready for the next despatch.

Delivery

Using your freight

Please advise your account number.

Using our freight

We have done the best to get the cheapest freight available and will charge this to the bottom of your invoice. For stock shipments, we will supply free into store based on a minimum order spend, where you are located and the details that have been negotiated.

ORDER FORM



Meher Trailer Products NZ Ltd

81A Killarney Lane, Frankton, Hamilton 3204, New Zealand

All orders or enquiries: Phone: +64 7 847 4857 Email: nzsales@themehergroup.co.nz

Company: _____ Date: _____

Ordered by: _____ Order Number: _____

Address: _____ Phone: _____

_____ Fax: _____

Email: _____

Freight Method

Freight: _____ Pick up: _____

Account Number: _____ Charge freight: _____

QUANTITY	PART NUMBER	DESCRIPTION	PRICE (IF QUOTED)

BACKORDERS IF NIL IN STOCK: YES NO ADVISE

QUANTITY	PART NUMBER	DESCRIPTION	PRICE (IF QUOTED)

BACKORDERS IF NIL IN STOCK: YES NO ADVISE

The background of the image is a complex, light-colored technical drawing overlaid on a dark grey background. The drawing consists of various mechanical and electrical components, including gears, shafts, bearings, and circuit diagrams. It features numerous lines, circles, and alphanumeric labels (such as '1', '2', '3', '18', '19', '21', '22', 'A', 'B', 'C', 'D', 'E', 'F', 'G', 'H', 'I', 'J', 'K', 'L', 'M', 'N', 'O', 'P', 'Q', 'R', 'S', 'T', 'U', 'V', 'W', 'X', 'Y', 'Z', 'AA', 'BB', 'CC', 'DD', 'EE', 'FF', 'GG', 'HH', 'II', 'JJ', 'KK', 'LL', 'MM', 'NN', 'OO', 'PP', 'QQ', 'RR', 'SS', 'TT', 'UU', 'VV', 'WW', 'XX', 'YY', 'ZZ') scattered throughout, representing a detailed engineering plan or assembly drawing.

MANUFACTURING CAPABILITIES

MANUFACTURING CAPABILITIES

With a proud history of innovative manufacturing, Meher has been operating since 1995.

Our in-house manufacturing competencies span across CAD and CAM and are coupled with robotic arm welders, presses, casting and forging capabilities. Thanks to ongoing investment in our state-of-the-art machinery we can manage the entire manufacturing process. From concept and design all the way to installation. This gives our clients better control, more flexibility and faster productions times.

We're always looking for ways to improve, too. Whether it's new technologies, shrinking our environmental footprint, or embracing the Meher design philosophy.

The following pages are a just a snap shot of the machines we have to utilise within our New Zealand premises.

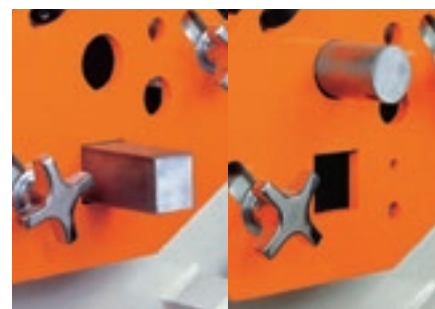
Which means we have the capabilities to design, manufacture and modify in-house. This provides fast, efficient and accurate production, a high level of customisation, no supply chain disruptions, quality assurance and plenty of local support.

In other words, satisfaction guaranteed.



IW-45M – Single Cylinder Hydraulic Ironworker

The IW-45M is a hydraulic punch and shear ironworker, that is capable of a wide range of applications that allows us to meet the diversified needs of metal fabricating.



Capacities and Specifications

Punching force / pressure	45 Ton	Flat bar shear	350mm x 8mm
Punch capacity	∅22mm x 15mm	Flat bar shear – Width x thickness	180mm x 12mm
Punch capacity – diameter x thickness	∅40mm x 8mm	Flat bar shear – blade length	360mm
Punching throat depth	175mm	Angle flange trim	75mm
Punching maximum stroke length	35mm	Round solid bar shear	∅25mm
Punching cycles (15mm stroke)	31cpm	Square solid bar shear	25mm x 25mm
Angle shear – 90°	75 x 75 x 6mm		
Angle shear – 45°	50mm x 50mm x 6mm		

BS-912 – Metal Cutting Band Saw

The BS-912 is a large and versatile cutting saw. This powerful machine represents one of the easiest and fastest ways to cut metal, either vertical or horizontal gives us the flexibility of providing standard or unique products for our clients.

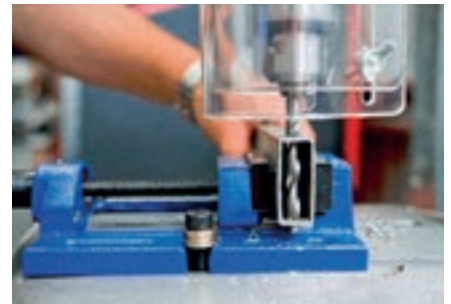


Capacities and Specifications

Operation type	Fixed head	Beam type	Manual
Round – 90°	230mm	Down feed control	Adjustable hydraulic
Round – 45°	150mm	Speeds m/mm	26-50-73-95
Square – 90°	230mm	Size	2654mm L x 27mm W x 0.9mm T
Square – 45°	127mm		
Rectangle – 90°	305mm x 178mm		
Rectangle – 45°	150mm x 127mm		

PD-440 – Heavy-Duty Pedestal Drill

A heavy-duty 3 morse taper drilling machine, used for drilling cylindrical holes in materials as well as being able to execute reaming, countersinking, tapping and counter boring.



Features

- Table tilts left & right to 45° & rotates
- Drilling depth stop
- Work light mounted underneath drill head to provide direct light onto the work piece
- T slotted work table

Capacities and Specifications

Drilling diameter capacity	ø28mm
Spindle taper	3mt
Spindle travel	120mm
Throat depth	220mm
Spindle speed steps	12
Spindle speed range	150 – 2450rpm

BS-76 – Belt Linisher Sander

A versatile machine used to smooth, shape and refine metal parts.



Features

- 6-inch or 150mm wide belt
- 2000mm belt length
- Tilting finishing head
- Variable belt speeds

Capacities and Specifications

Operation type	Linisher sander
Belt	
Speed – fpm / mpm	2850, 5700 / 870, 1740
Size	150mm x 2000mm
Motor speed	1420rpm / 2840rpm

WT200MP – Inverter Multi-function Welder

A multi-process welder that offers more flexibility with its multi-process welding functionality which improve overall efficiency and allows the use of MIG, TIG and Stick with the one machine.



Features

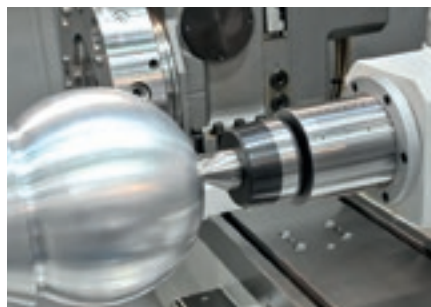
- 200amp gas/gasless
- 15kg spool capable
- Lightweight and robust construction
- Inductance control
- 60% Duty cycle – 160amp
- 3m Euro connect torch with ARC and earth lead and regulator

Capacities and Specifications

Type	MIG-MMA
Voltage	230 volts
Recommended plug amperage	15amps
MIG welding current range	200amps
MMA welding current range	200amps
Duty cycle	60% at 160amps

TL1 – Toolroom Lathe

The TL1 Series Lathe is easy to use, and offers the precision control. The perfect machine for shaping metal and providing our clients with nicely crafted products.



Features

- 1800rpm spindle, A2-5
- Coolant pump kit
- Control touch screen
- Cross-slide, tooling ready

Capacities and Specifications

Over Front Apron	508 mm
Over Cross Slide	279 mm
Chuck	203 mm
Max Cutting Length	762 mm
Max Cutting Diameter	406 mm
Spindle Nose	A2-5
Max Speed	1800 rpm
Max Torque	146.0 Nm @ 355 rpm
Spindle Bore \varnothing	58.0 mm

VB-300 – Metal Cutting Vertical Band Saw

Metal cutting band saws can offer large cutting capacities not achievable with circular blade. This all-in-one bandsaw includes a built-in blade shear, welding station, grinder and swarf air blower giving us greater advantage of providing a complete product for our clients.



Features

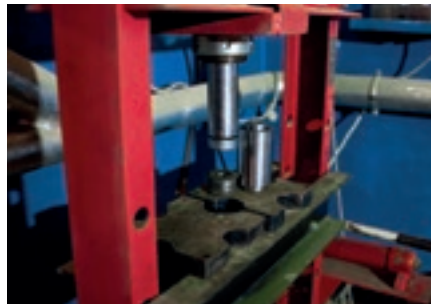
- Variable cutting and blade speeds
- Table tilts $\pm 15^\circ$ in all four directions
- Lightweight and robust construction
- Includes; blade butt welder, grinder, shears and blade air blower

Capacities and Specifications

Throat capacity	310mm
Height capacity	175mm
Speeds	20 - 90 m/min
Blade length	2510mm
Welder capacity	3 - 13mm

HEP-150 – Hydraulic Electric Powered Frame Press

HEP150 is ideal for pressing, installation/removal of bearings, repair of electric motors, forming and bending applications. Versatile enough that can handle small to bulky or off centre pressing jobs.



Features

– 3 Phase pump and motor

Capacities and Specifications

Stroke	350mm
Distance between frames	1100mm or 1250mm
Depth of frame	450mm
Motor	7.5kW
Table size	700mm x 530mm
Overall height	2310mm

A series of horizontal dotted lines for writing, spanning the width of the page.

A series of horizontal dotted lines for writing notes or working out problems.



Meher Trailer Products New Zealand

New Zealand

17 Grasslands Place, Frankton, Hamilton 3204, New Zealand
Phone: +64 7 847 4857 Email: nzsales@themehergroup.co.nz

Head Office – Australia

11 National Drive, Hallam, VIC 3803, Australia
Phone: +61 3 8795 7088 Email: sales@themehergroup.com

Australia
Victoria
Queensland
New South Wales

New Zealand
Hamilton

Malaysia
Selangor

Mauritius
Quatre Bornes

UAE
Dubai

Netherlands
Delft

Canada
British Columbia

USA
Illinois

China

Hungary

India

www.themehergroup.com

